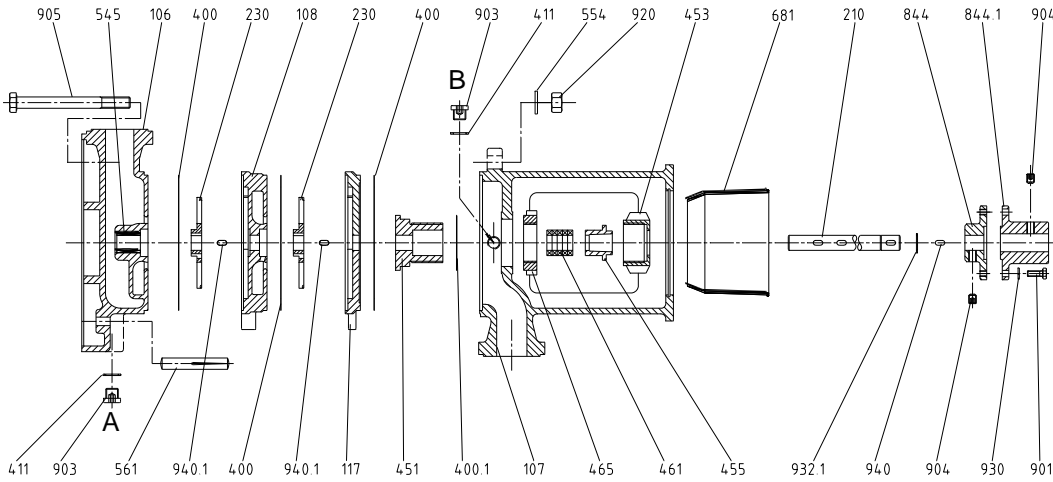


**Pump View and List of Spare Parts**



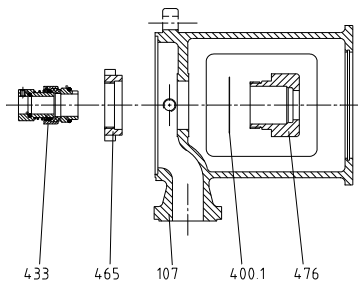
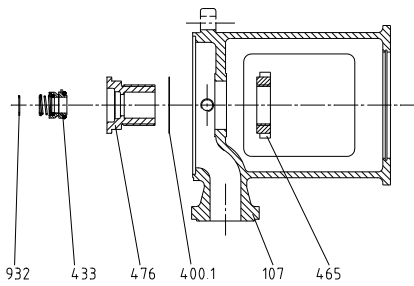
**NVB(K)**



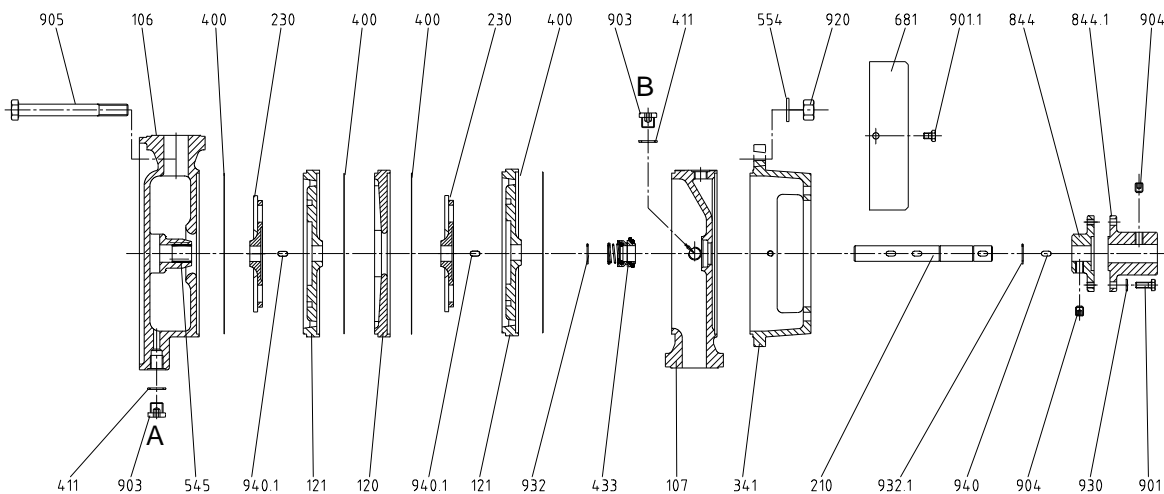
part no.	designation
106	suction casing
107	delivery casing
108	stage casing
117	end stage casing
210	shaft
230	impeller
400/.1	gasket
411	joint ring
433	mechanical seal
451	stuffing box
	housing
453	gland nut
455	stuffing box insert
461	gland packing
465	lock nut
476	support to stationary element
545	bearing bush
554	washer
561	groove dowl pin
681	coupling guard
844/.1	coupling half
901	hexagon screw
903	screwed plug
904	hexagon socket set screw
905	tie bolt
920	nut
930	tooth lock washer
932/.1	circlip
940/.1	key

**NVB(K)u, delivery side I**

**NVB(K)u, delivery side II**



**NuV 25**



part no.	designation	part no.	designation	part no.	designation
106	suction casing	433	mechanical seal	920	nut
107	delivery casing	545	bearing bush	930	tooth lock washer
120	interstage casing	554	washer	932/.1	circlip
121	diffuser casing	681	coupling guard	940/.1	key
210	shaft	844/.1	coupling half		
230	impeller	901/.1	hexagon screw		
341	lantern	903	screwed plug		
400	gasket	904	hexagon socket set screw		
411	joint ring	905	tie bolt		

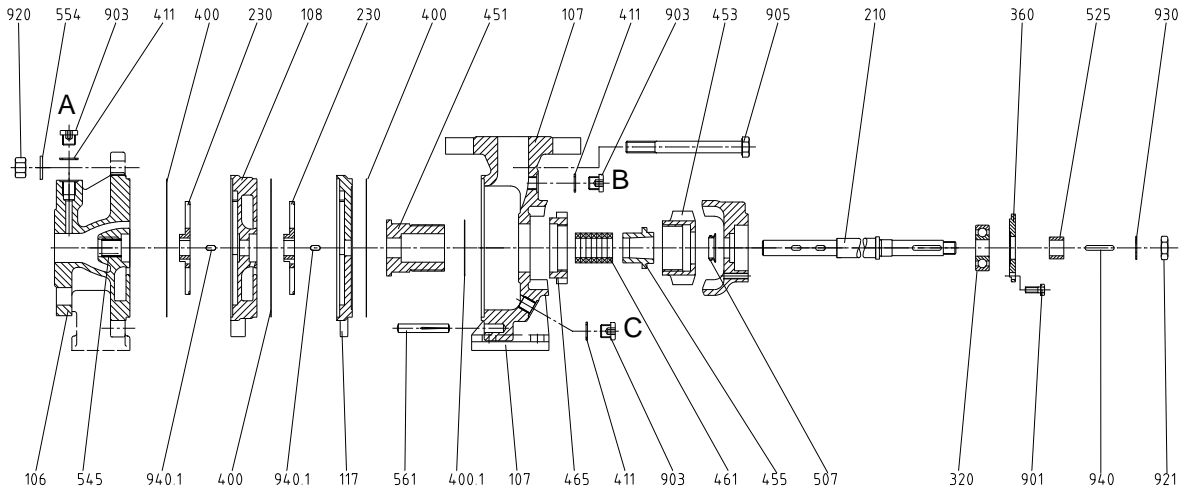
When ordering spare parts, please indicate serial no., type no. and parts no.

# Pump View and List of Spare Parts

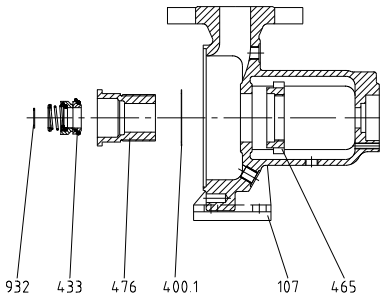


A: Screwed plug G1/4 for drain and manometer connection  
 B: Screwed plug G1/4 for drain connection

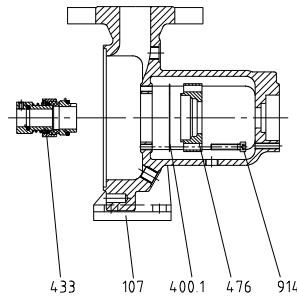
## N1-N9



### N1u-N9u, delivery side I



### N1u-N9u, delivery side II



part no.	designation
106	suction casing
107	delivery casing
108	stage casing
117	end stage casing
210	shaft
230	impeller
320	ball bearing
360	bearing cover
400/.1	gasket
411	joint ring
433	mechanical seal

part no.	designation
451	stuffing box housing
453	gland nut
455	stuffing box insert
461	gland packing
465	lock nut
476	support to stationary element
507	deflector
525	spacer sleeve
545	bearing bush
554	washer
561	groove dowl pin

part no.	designation
901	hexagon screw
903	screwed plug
905	tie bolt
914	hexagon socket head cap screw
920	nut
921	shaft nut
930	tooth lock washer
932	circlip
940/.1	key

A: Screwed plug G1/4 for vent and manometer connection  
 B: Screwed plug G1/4 for vent connection  
 C: Screwed plug G1/4 for drain