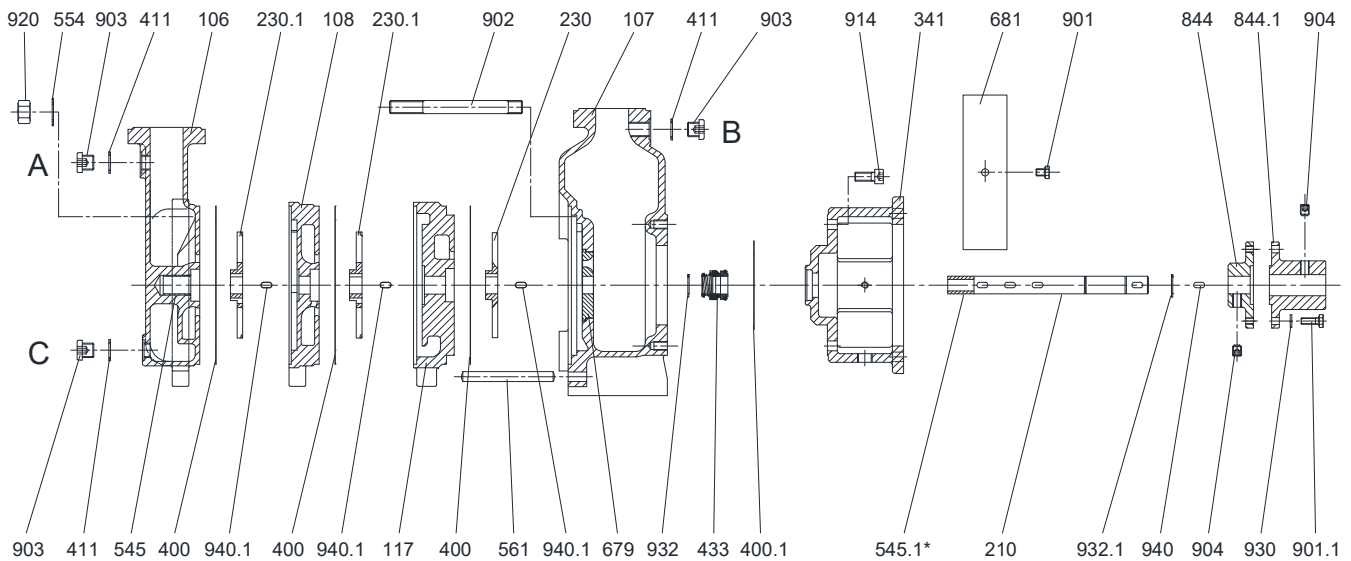
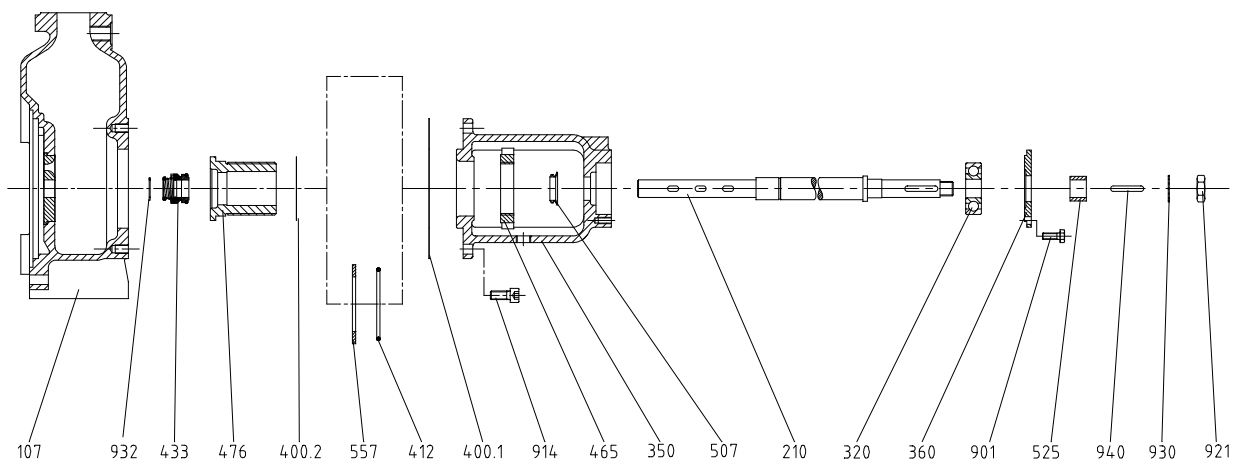


VB1u-VB6u / EB1u-EB6u / EB11u-EB16u



- A: Screwed plug G1/4 for drain and manometer connection
- B: Screwed plug G1/4 for drain
- C: Screwed plug G1/4 for vent and manometer connection

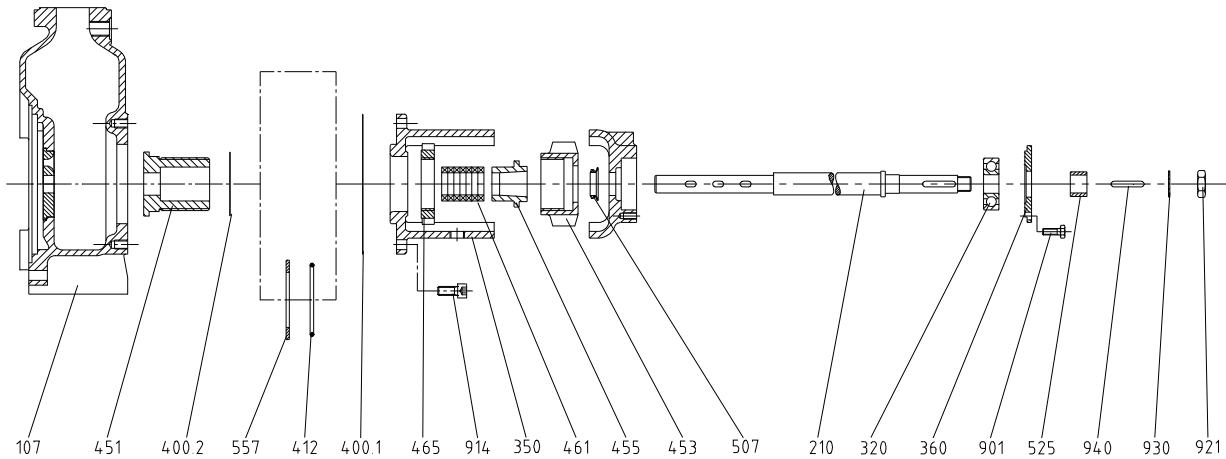
V1u-V6u / E1u-E6u / E11u-E16u, delivery side (suction side look VB1u-VB6u / EB1u-EB6u / EB11u-EB16u)



part no.	designation	part no.	designation	part no.	designation	part no.	designation
106	suction casing	400/.1-.2	gasket	545.1*	bearing bush (only for SiC)	904	hexagon socket set screw
107	delivery casing	411	joint ring	554	washer	914	hexagon socket head cap screw
108	stage casing	412	o ring	557	supporting ring	920	nut
117	end stage casing	433	mechanical seal	561	groove dowl pin	921	shaft nut
210	shaft	465	lock nut	679	nozzel plate	930	tooth lock washer
230/.1	impeller	476	support to stationary element	681	coupling guard	932/.1	circlip
320	ball bearing	507	deflector	844/.1	coupling half	940/.1	key
341	lantern	525	spacer sleeve	901	hexagon screw		
350	bearing housing	545	bearing bush	902	spacer sleeve		
360	bearing cover			903	screwed plug		

When ordering spare parts, please indicate serial no., type no. and parts no.

V1-V6 / E1-E6 / E11-E16, delivery side (suction side look VB1u-VB6u / EB1u-EB6u / EB11u-EB16u)



part no.	designation
451	stuffing box housing
453	gland nut
455	stuffing box insert
461	gland packing