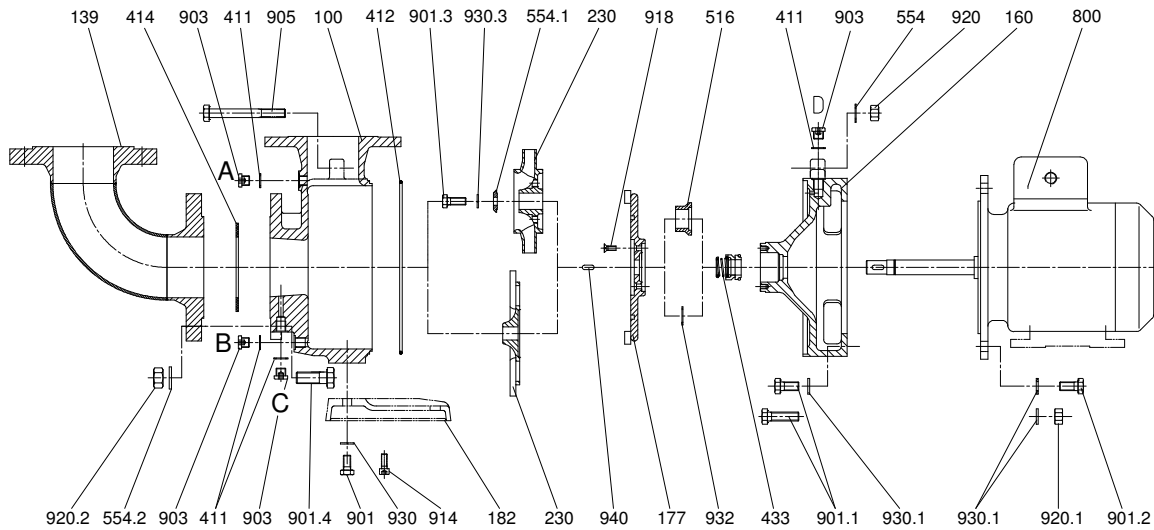
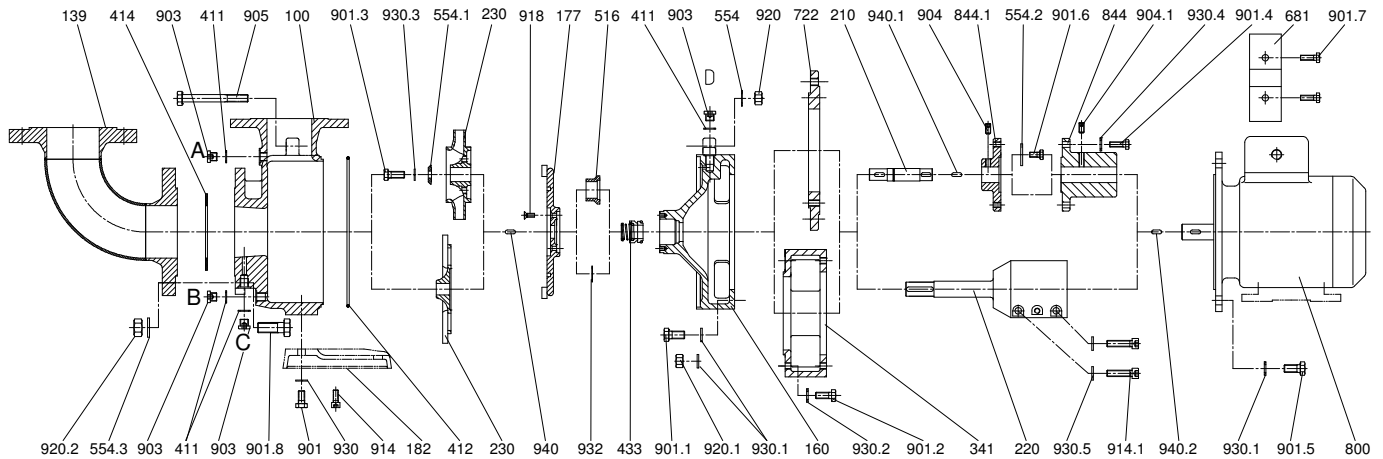


SUB 300-700



- A: Screwed plug G1/4 for vent and manometer connection
- B: Screwed plug G1/4 for drain
- C: Screwed plug G1/4 for manometer connection
- D: Screwed plug G1/4 for vent

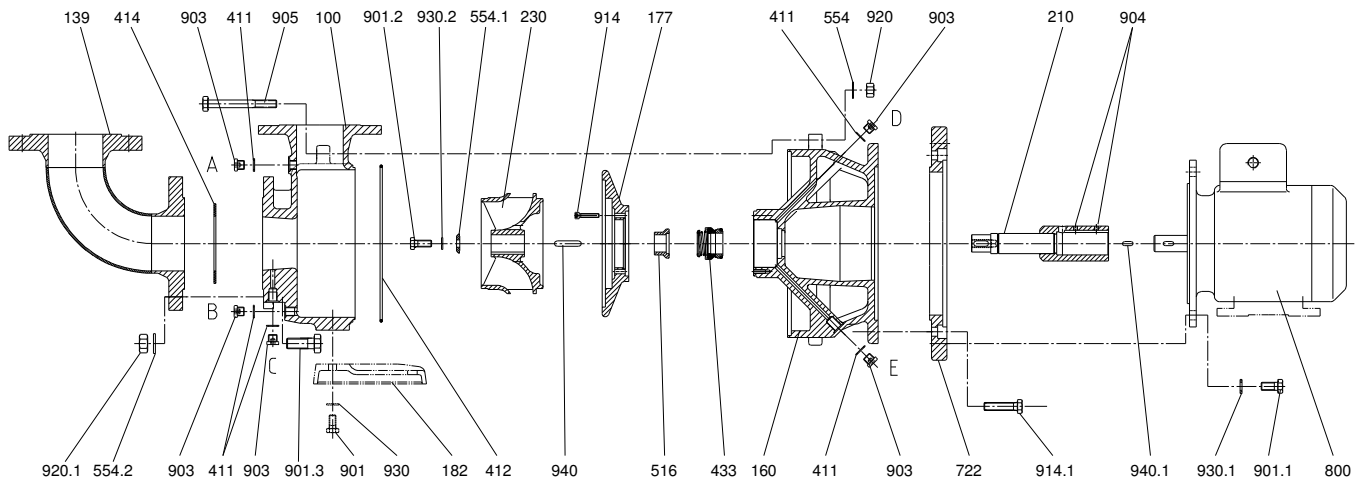
SUBL 300-700



Part no.	Designation	Part no.	Designation	Part no.	Designation
100	casing	412	o ring	904/.1	hexagon socket set screw
139	suction bend	414	rubber disc	905	tie bolt
160	cover	433	mechanical seal	914/.1	hexagon socket head cap screw
177	sealing chamber	516	shaft sleeve for mech.	918	slotted countersunk head screw
182	foot	554/.1-.3	washer	920/.1/.2	nut
210	shaft	681	coupling guard	930/.1-.5	tooth lock washer
220	stub shaft	722	intermediate flange	932	circlip
230	impeller	844/.1	coupling half	940/.1	key
341	lantern	901/.1-.8	hexagon screw		
411	joint ring	903	screwed plug		

When ordering spare parts, please indicate serial no., type no. and parts no.

SUBS 700



- A: Screwed plug G1/4 for vent and manometer connection
- B: Screwed plug G1/4 for drain
- C: Screwed plug G1/4 for manometer connection
- D: Screwed plug G1/4 for vent
- E: Screwed plug G1/4 for drain

Part no.	Designation	Part no.	Designation	Part no.	Designation
100	casing	412	o ring	903	screwed plug
139	suction bend	414	rubber disc	904	hexagon socket set screw
160	cover	433	mechanical seal	905	tie bolt
182	foot	516	shaft sleeve for mech. seal	914	hexagon socket head cap nut
177	sealing chamber	554/.1-.2	washer	920/.1	nut
210	shaft with disc type coupling	722 *	intermediate flange	930/.1-.2	tooth lock washer
230	impeller	800	motor	940/.1	key
411	joint ring	901/.1-.3	hexagon screw		

* from 11,0 kW