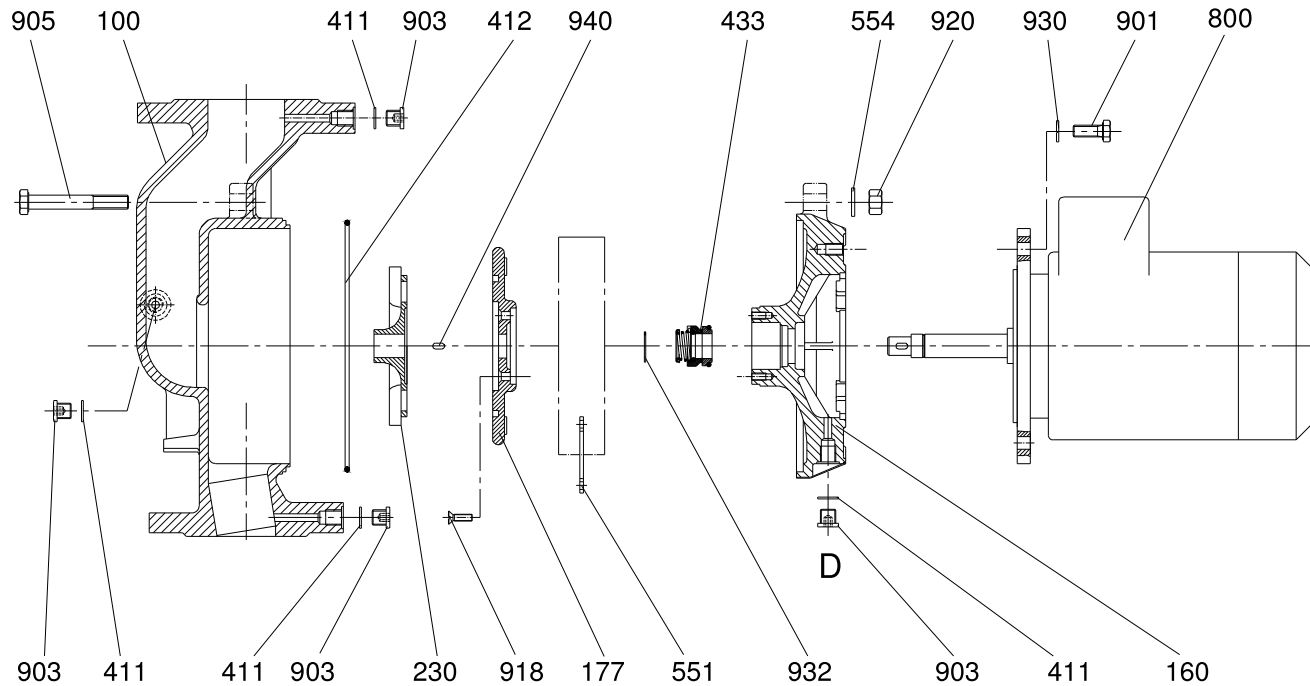


## 8 Pump View and list of Spare Parts

### 8.1 LUB 65 · LUB 80

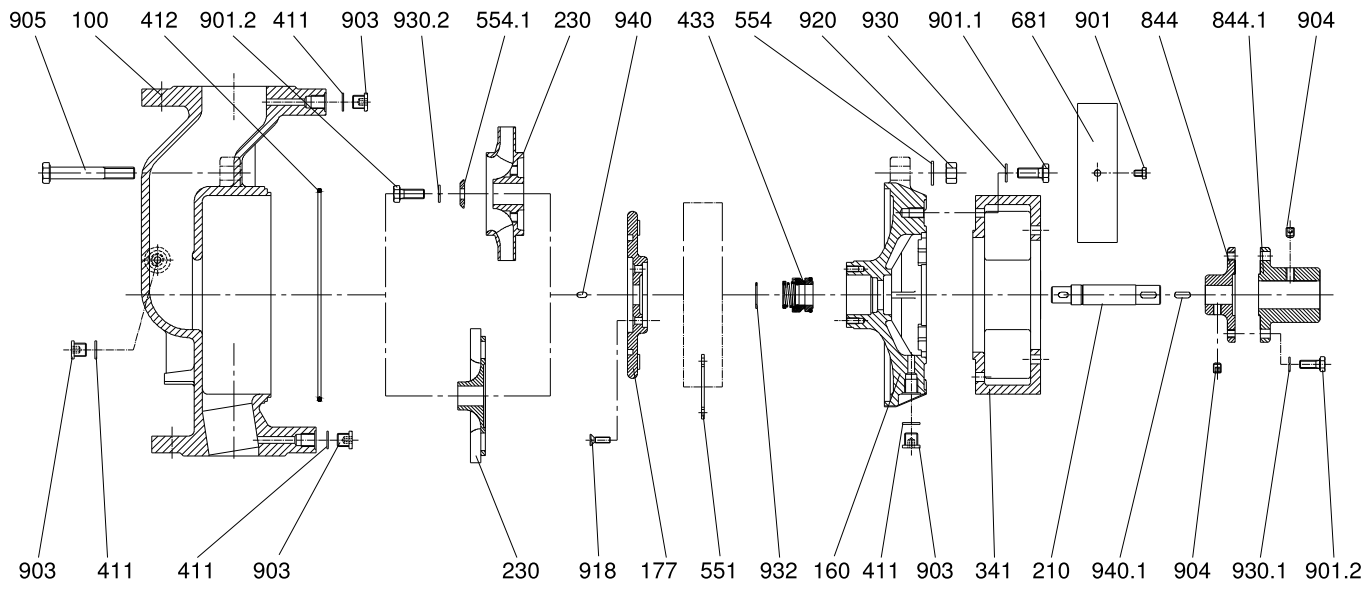


Part no. designation

100	casing
160	cover
177	sealing chamber
230	impeller
411	joint ring
412	o-ring
433	mechanical seal
507	deflector
551	disc spacer
554	washer
800	3-phase motor
901	hexagon screw
903	screwed plug
905	tie bolt
918	slotted countersunk head screw
920	nut
930	tooth lock washer
932	circlip
940	key

When ordering spare parts, please indicate serial no., type no. and parts no. by all means.

## 8.2 LUBL 65 · LUBL 80 · LUBL 100

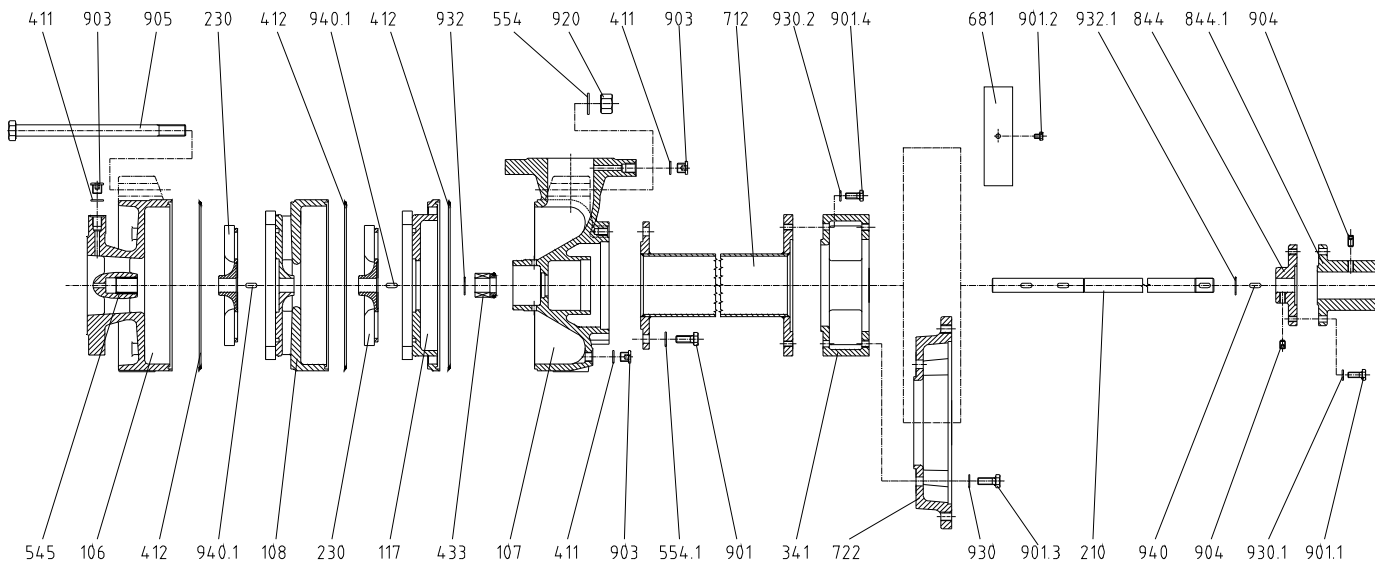


Part no. designation

100	casing
160	cover
177	sealing chamber
210	shaft
230	impeller
341	lantern
411	joint ring
412	o-ring
433	mechanical seal
551	disc spacer
554/.1	washer
681	coupling guard
844/.1	coupling half
901/.1-.2	hexagon screw
903	screwed plug
904	screwed plug
905	tie bolt
918	slotted countersunk head screw
920	nut
930/.1-.2	tooth locker washer
932	circlip
940/.1	key

When ordering spare parts, please indicate serial no., type no. and parts no. by all means.

### 8.3 LTU



Part no. designation

106	suction casing
107	delivery casing
108	stage casing
117	end stage casing
210	shaft
230	impeller
341	lantern
400	gasket
411	joint ring
412	O-ring
433	mechanical seal
545	bearing bush
554/.1	washer
681	coupling guard
712	support column
722	intermediate flange
844/.1	coupling guard
901/.1-.4	hexagon screw
903	screwed plug
904	hexagon socket set screw
905	tie bolt
920	nut
930/.1-.2	tooth lock washer
932/.1	circlip
940/.1	key

When ordering spare parts, please indicate serial no., type no. and parts no. by all means.