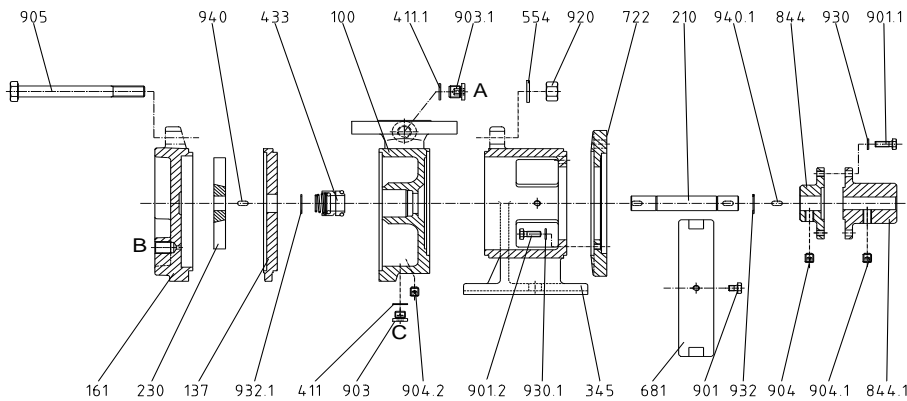


**Pump View and List of Spare Parts**



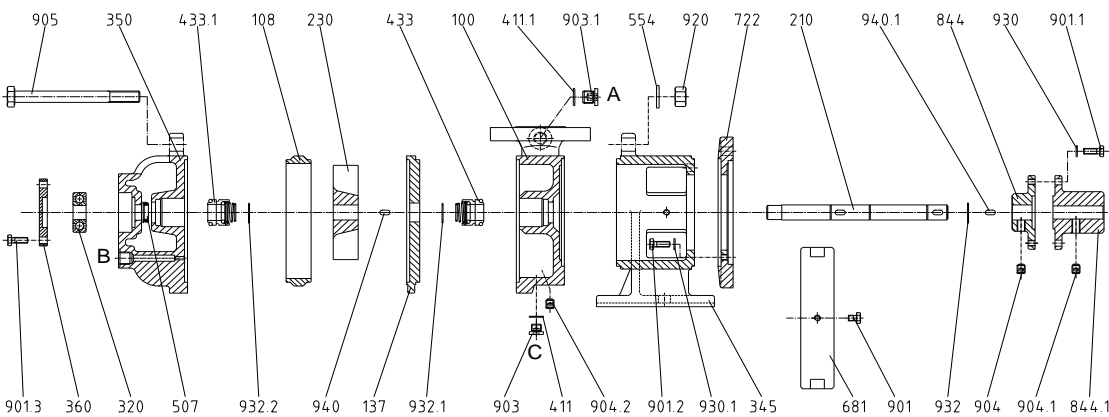
**GS22U0**



Part No.	Designation	Part No.	Designation
100	casing	844/.1	coupling half
137	port plate	901/.1/.2	hexagon screw
161	casing cover	903/.1	screwed plug
210	shaft	904/.1/.2	hexagon socket set screw
230	impeller	905	tie bolt
345	foot mounted lantern bracket	920	nut
411/.1	joint ring	930/.1	tooth lock washer
433	mechanical seal	932/.1	circlip
554	washer	940/.1	key
681	coupling guard		
722	intermediate flange		

A: Vacuum gauge connection G1/4  
 B: Connection for auxiliary liquid G1/4  
 C: Drain connection G1/8

**GS22U1**

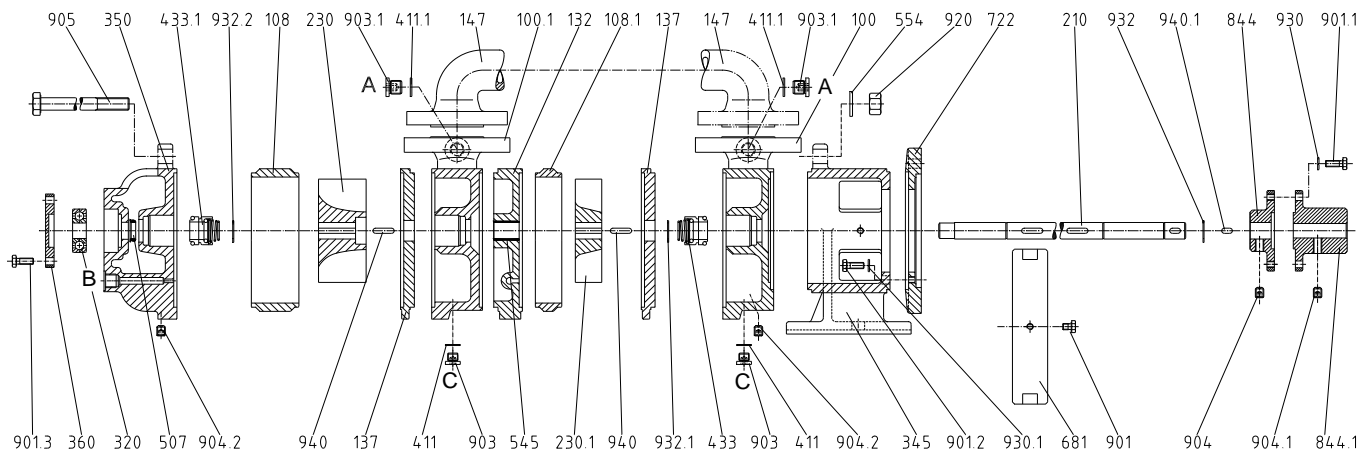


Part No.	Designation	Part No.	Designation
100	casing	681	coupling guard
108	stage casing	722	intermediate flange
137	port plate	844/.1	coupling half
210	shaft	901/.1-/.3	hexagon screw
230	impeller	903/.1	screwed plug
320	ball bearing	904/.1/.2	hexagon socket set screw
345	foot mounted lantern bracket	905	tie bolt
350	bearing housing	920	nut
360	bearing cover	930/.1	tooth lock washer
411/.1	joint ring	932/.1/.2	circlip
433/.1	mechanical seal	940/.1	key
507	deflector		
554	washer		

A: Vacuum gauge connection G1/4  
 B: Connection for auxiliary liquid G1/4  
 C: Drain connection G1/8

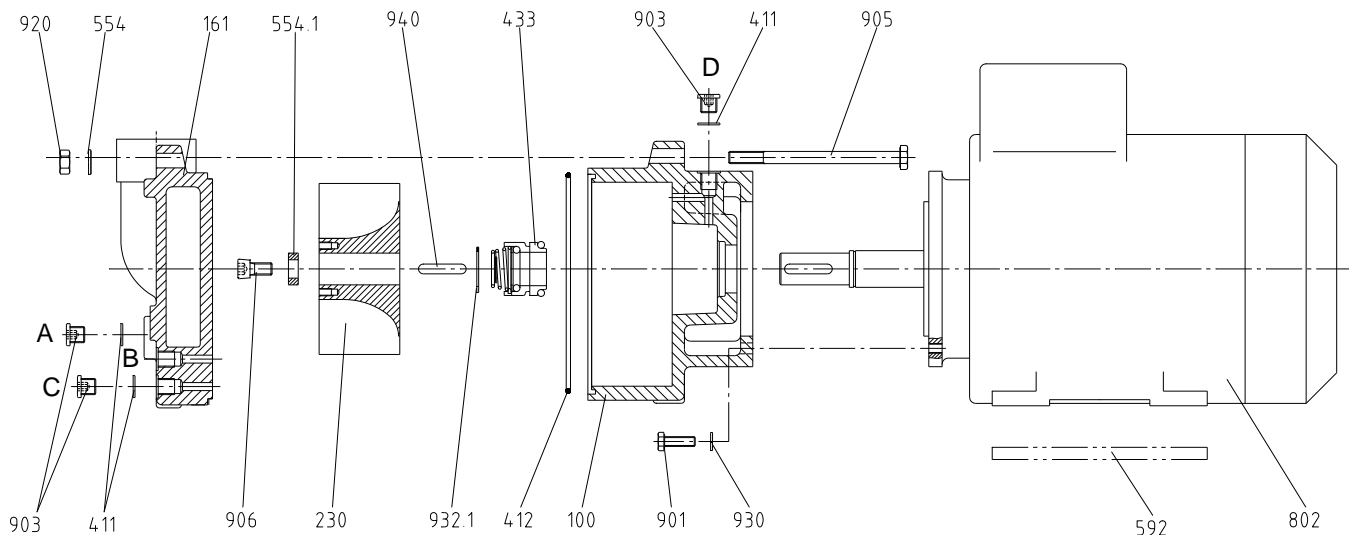
When ordering spare parts, please indicate serial no., type no. and parts no. by all means..

**ZS22U1 (GP24U1)**



Part No.	Designation	Part No.	Designation	Part No.	Designation
100/.1	casing	411/.1	joint ring	905	tie bolt
108/.1	stage casing	433/.1	mechanical seal	920	nut
132	intermediate piece	507	deflector	930/.1	tooth lock washer
137	port plate	545	bearing bush	932/.1/2	circlip
147	interstage casing	554	washer	940/.1	key
210	shaft	681	coupling guard	A:	Vacuum gauge connection G1/4
230/.1	impeller	722	intermediate flange	B:	Connection for auxiliary liquid G1/4
320	ball bearing	844/.1	coupling half	C:	Drain connection G1/8
345	foot mounted lantern bracket	901/.1-/3	hexagon screw		
350	bearing housing	903/.1	screwed plug		
360	bearing cover	904/.1/2	hexagon socket set screw		

**ZB**



Part No.	Designation	Part No.	Designation	Part No.	Designation
100	casing	901	hexagon screw	A:	Connection for auxiliary liquid G1/4
161	casing cover	903	screwed plug	B:	Connection for vacuum limiter G1/4
230	impeller	905	tie bolt	C:	Screwed plug for drain G1/4
411	joint ring	906	impeller screw	D:	Screwed plug for vent connection G1/4
412	o ring	920	nut		
433	mechanical seal	930	tooth lock washer		
554/.1	washer	932	circlip		
592	underlay (3,0 kW)	940	key		
802	motor				