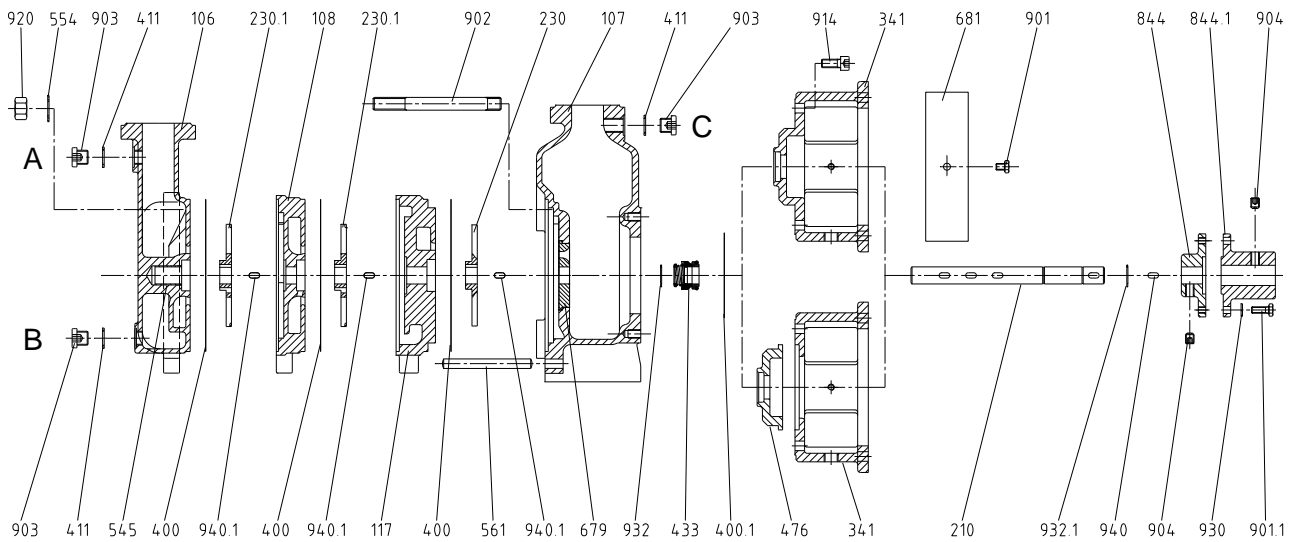


Pump View and List of Spare Parts

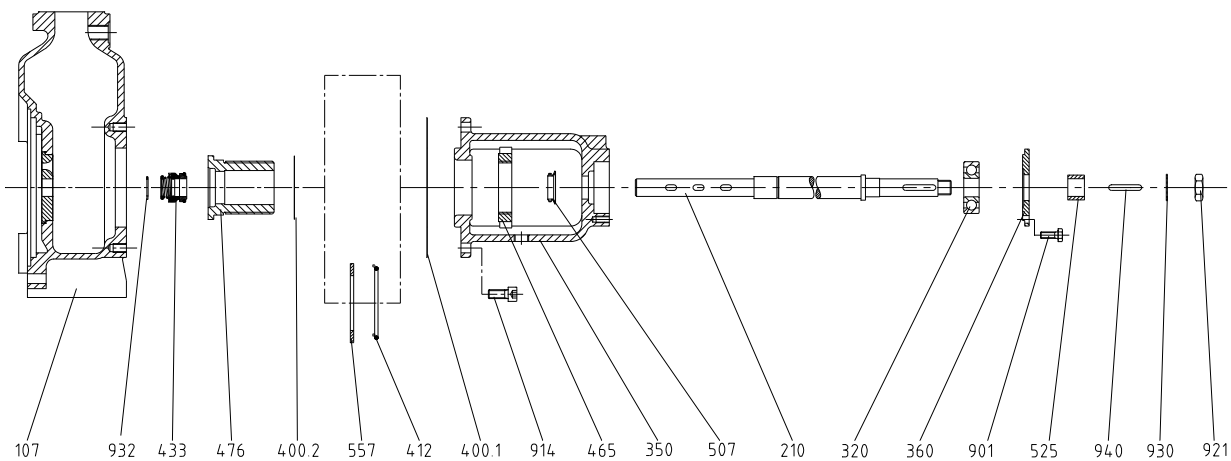


VB1u-VB6u / EB1u-EB6u / EB11u-EB16u



- A: Screwed plug G1/4 for drain and manometer connection
- B: Screwed plug G1/4 for drain
- C: Screwed plug G1/4 for vent and manometer connection

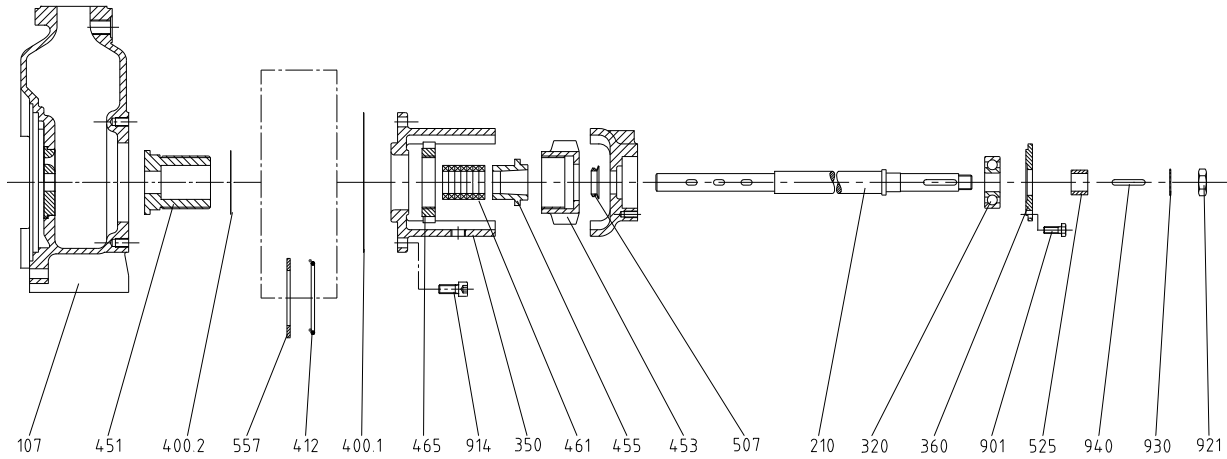
V1u-V6u / E1u-E6u / E11u-E16u, delivery side (suction side look VB1u-VB6u / EB1u-EB6u / EB11u-EB16u)



part no.	designation	part no.	designation	part no.	designation	part no.	designation
106	suction casing	400/.1-.2	gasket	554	washer	904	hexagon socket set screw
107	delivery casing	411	joint ring	557	supporting ring	914	hexagon socket head cap screw
108	stage casing	412	o ring	561	groove dowl pin	920	nut
117	end stage casing	433	mechanical seal	679	nozzel plate	921	shaft nut
210	shaft	465	lock nut	681	coupling guard	930	tooth lock washer
230/.1	impeller	476	support to stationary element	844/.1	coupling half	932/.1	circlip
320	ball bearing	507	deflector	901	hexagon screw	940/.1	key
341	lantern	525	spacer sleeve	902	stud		
350	bearing housing	545	bearing bush	903	screwed plug		
360	bearing cover						

When ordering spare parts, please indicate serial no., type no. and parts no.

V1-V6 / E1-E6 / E11-E16, delivery side (suction side look VB1u-VB6u / EB1u-EB6u / EB11u-EB16u)



part no.	designation
451	stuffing box housing
453	gland nut
455	stuffing box insert
461	gland packing