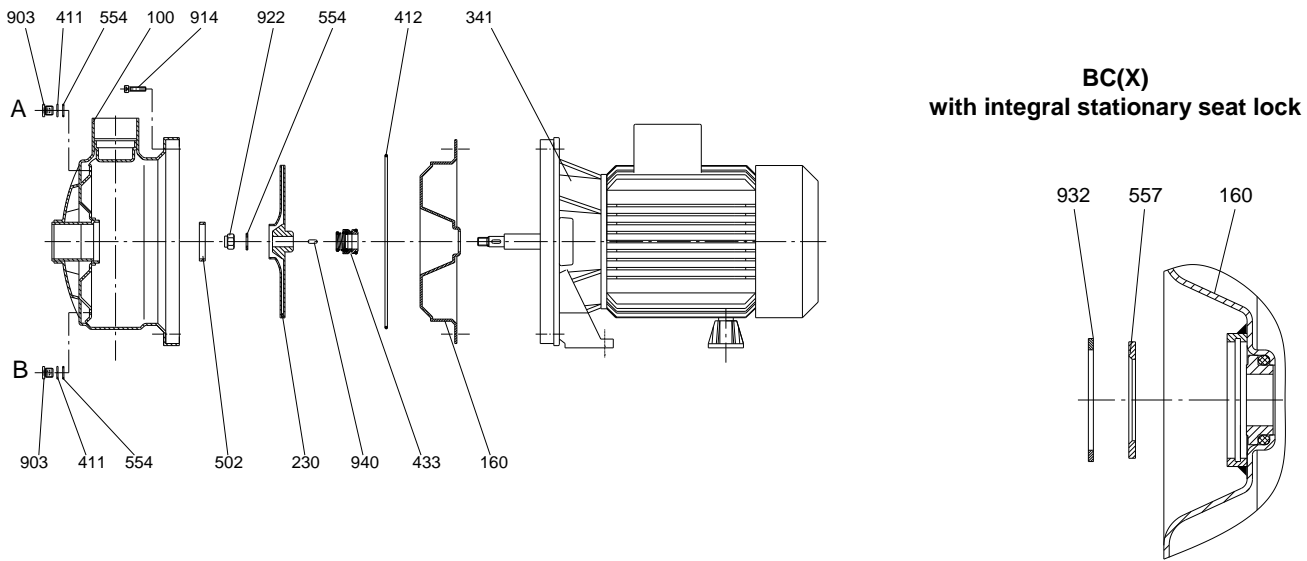
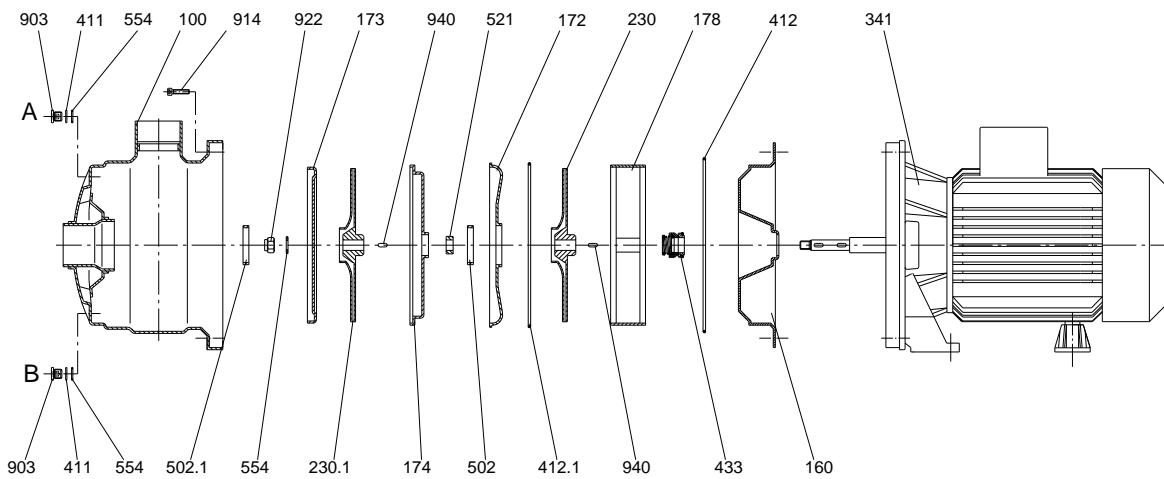


BC 25-071 · BC 25-091 · BC 25-121



BC 25-072 · BC 25-122



Part no.	Designation	Part no.	Designation
100	casing	433	mechanical seal
160	cover	502/.1	liner ring
172	conveyer cover	521	impeller spacing
173	diffuser cover	554	washer
174	diffuser	557	supporting ring
178	space diffuser	903	screwed plug
230/.1	impeller	914	hexagon socket head cap screw
341	motor bracket	922	impeller nut
411	joint ring	932	circlip
412/.1	o-ring	940	key

When ordering spare parts, please indicate serial no., type no. and parts no. by all means.