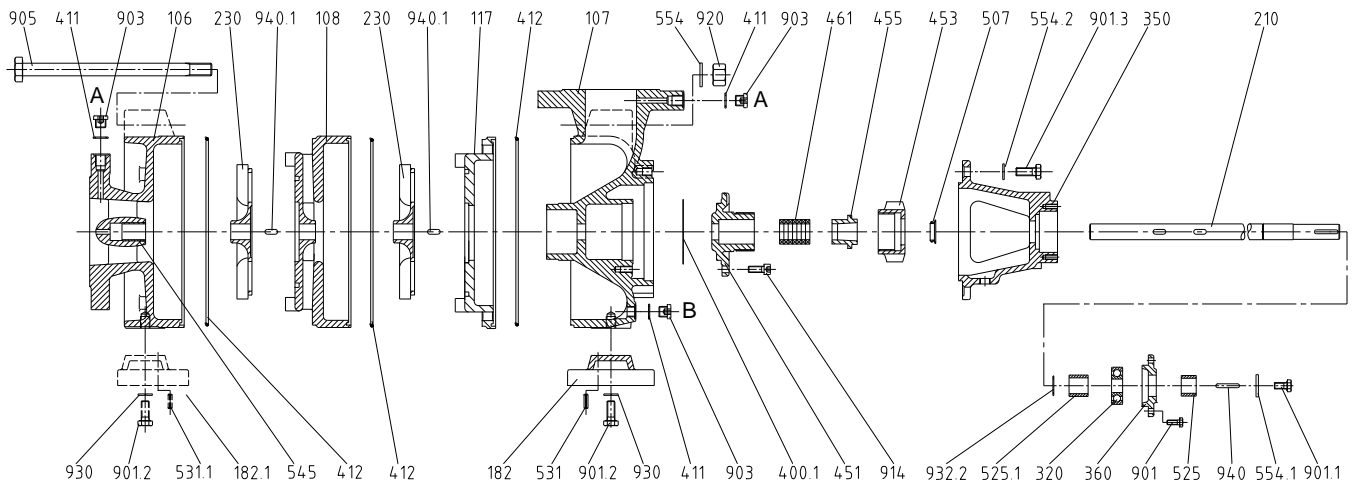


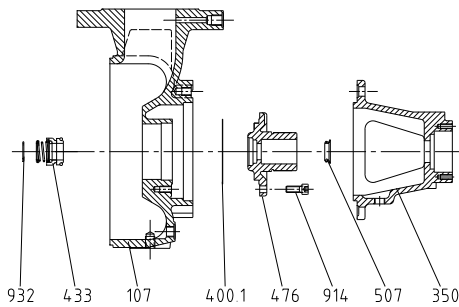
Pump View and List of Spare Parts



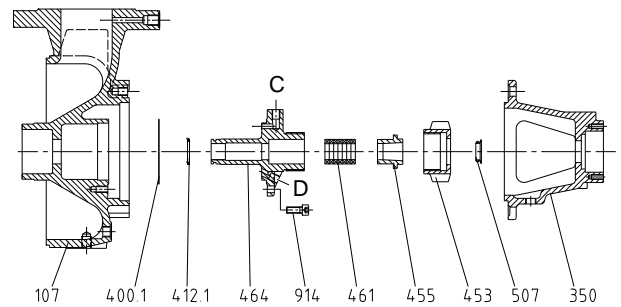
NHP



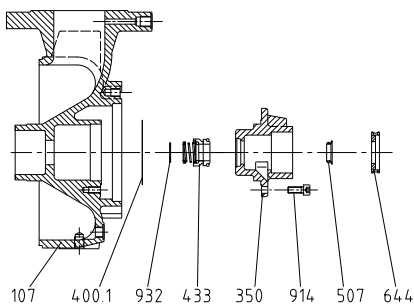
NHU, delivery side



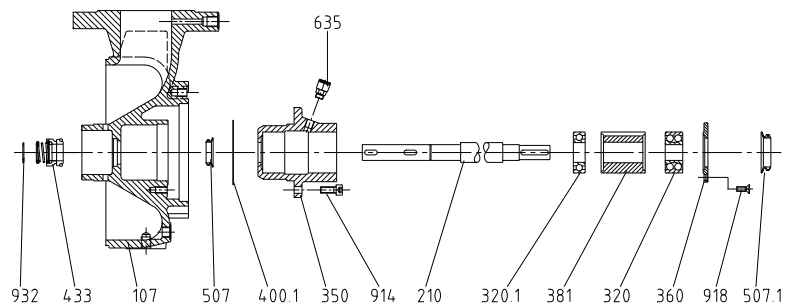
NHT, delivery side



NU/NE, delivery side



NLU, delivery side



| part no. | designation | part no. | designation | part no. | designation |
|----------|---------------------------|----------|-------------------------------|-----------|--------------------------------|
| 106 | suction casing | 412/.1 | o ring | 635 | grease cup |
| 107 | delivery casing | 433 | mechanical seal | 644 | oil ring |
| 108 | stage casing | 451 | stuffing box housing | 901/.1-3 | hexagon screw |
| 117 | end stage casing | 453 | gland nut | 903 | screwed plug |
| 182/.1 | foot | 455 | stuffing box insert | 905 | tie bolt |
| 210 | shaft | 461 | gland packing | 914 | hexagon socket head cap screw |
| 230 | impeller | 464 | stuffing box housing | 918 | slotted countersunk head screw |
| 320/.1 | ball bearing | 476 | support to stationary element | 920 | nut |
| 350 | bearing housing | 507/.1 | deflector | 930 | tooth lock washer |
| 360 | bearing cover | 525/.1 | spacer sleeve | 932/.1-.2 | circlip |
| 381 | bearing housing cartridge | 531/.1 | locking sleeve | 940/.1 | key |
| 400.1 | gasket | 545 | bearing bush | | |
| 411 | joint ring | 554/.1-2 | washer | | |

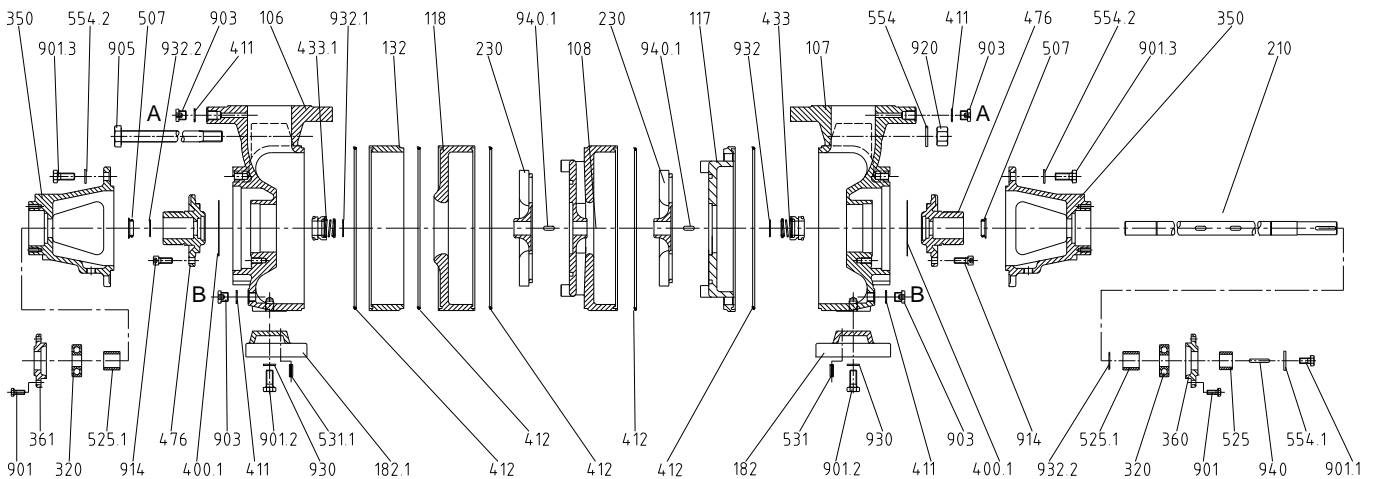
- A: Screwed plug G1/4 for vent and manometer connection
- B: Screwed plug G1/4 for drain
- C: Screwed plug G1/8 for vent connection and connection for stop or quensch liquid
- D: Connections G1/8 for stop or quensch liquid

When ordering spare parts, please indicate serial no., type no. and parts no.

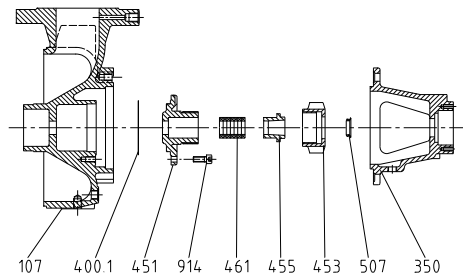
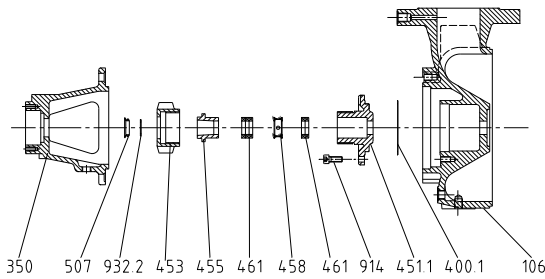
Pump View and List of Spare Parts



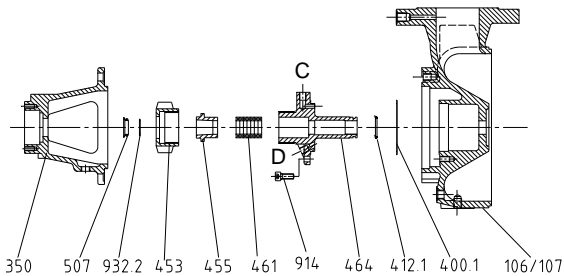
ZU, ZE



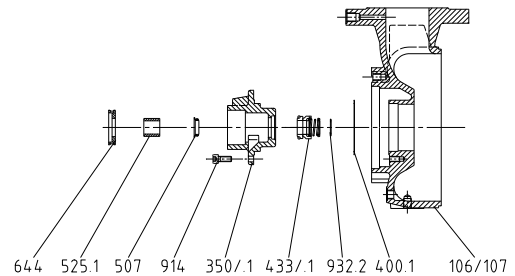
ZP, delivery and suction side



ZT, delivery and suction side



ZGE, delivery and suction side



part no. designation

- 106 suction casing
- 107 delivery casing
- 108 stage casing
- 117 end stage casing
- 118 suction stage casing
- 132 intermediate piece
- 182/1 foot
- 210 shaft
- 230 impeller
- 320/1 ball bearing
- 350 bearing housing
- 360 bearing cover
- 361 bearing end cover
- 400.1 gasket

part no. designation

- 411 joint ring
- 412/1 o ring
- 433/1 mechanical seal
- 451/1 stuffing box housing
- 453 gland nut
- 455 stuffing box insert
- 458 locking ring
- 461 gland packing
- 464 stuffing box housing
- 476 support to stationary element
- 507 deflector
- 525/1 spacer sleeve
- 531/1 locking sleeve

part no. designation

- 554/1-2 washer
- 644 oil ring
- 901/1-3 hexagon screw
- 903 screwed plug
- 905 tie bolt
- 914 hexagon socket head cap screw
- 920 nut
- 930 tooth lock washer
- 932/1-2 circlip
- 940/1 key

A: Screwed plug G1/4 for vent and manometer connection
 B: Screwed plug G1/4 for drain
 C: Screwed plug G1/8 for vent connection and connection for stop or quensch liquid
 D: Connections G1/8 for stop or quensch liquid