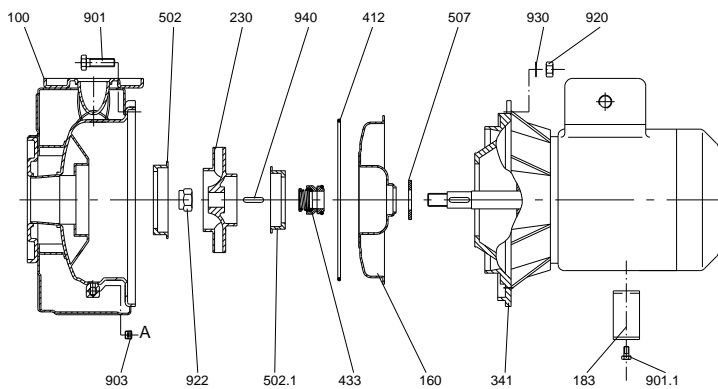
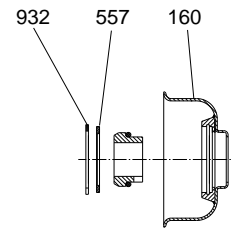


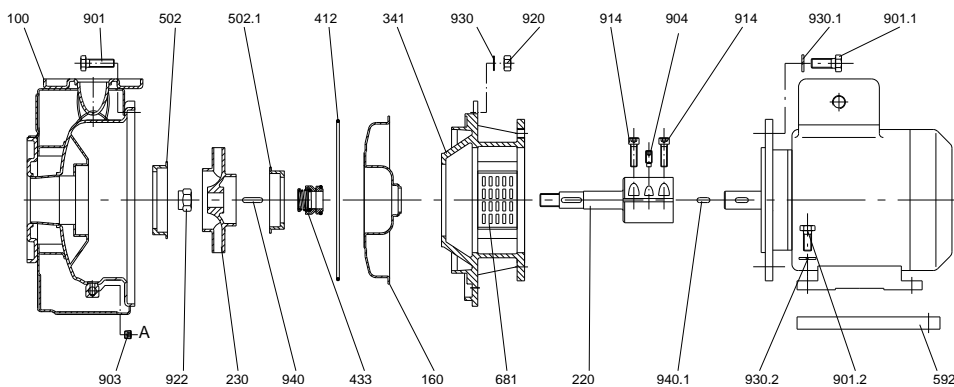
CB



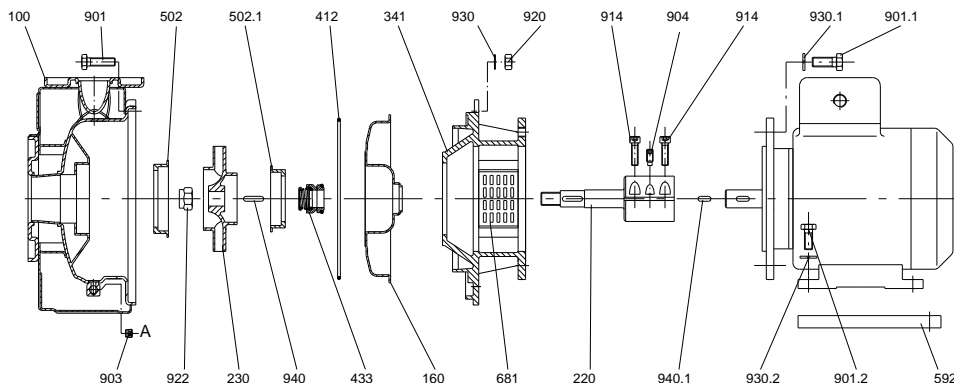
CB(X) - CB(X)L
with integral stationary seat lock



CBL 32-200 ... 50-200 · CBL 65-125 ... 65-200



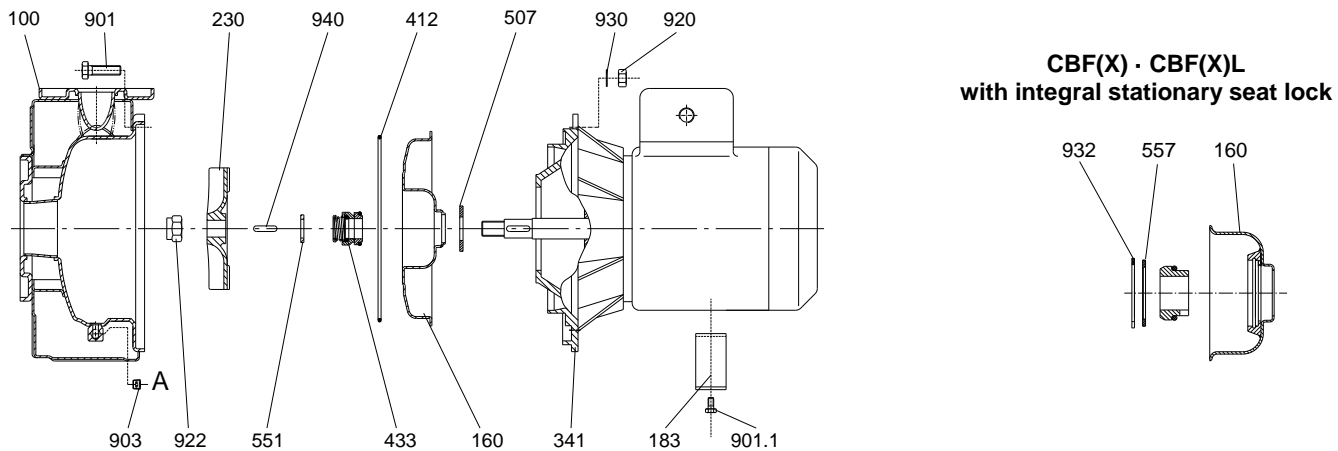
CBL 50-250 · CBL 65-250 ... 80-160



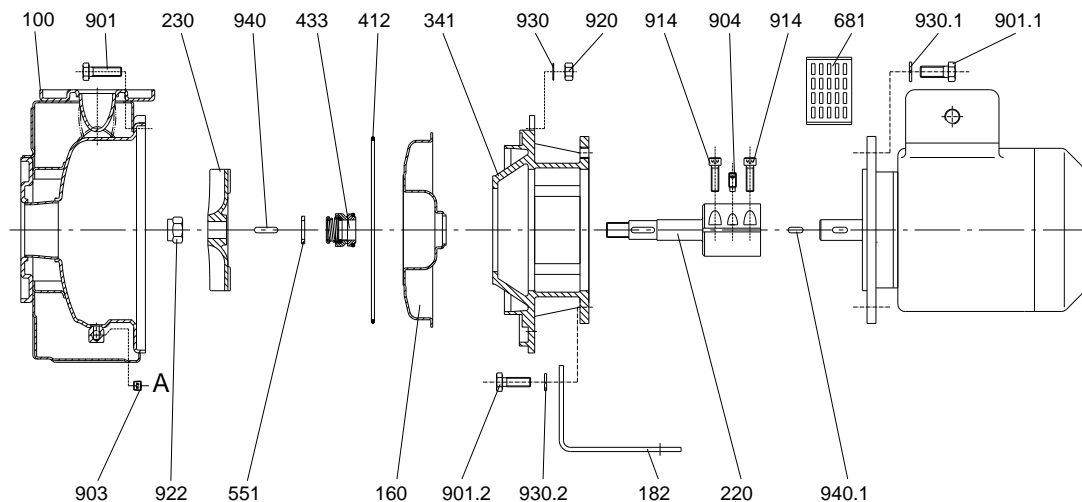
Part no.	Designation	Part no.	Designation
100	casing	554	washer
146	intermediate lantern	557	supporting ring
160	cover	592	underlay
182	foot	681	coupling guard
183	support foot	901/.1-2	hexagon screw
220	stub shaft	903	screwed plug
230	impeller	904	hexagon socket set screw
341	latern	914	hexagon socket head cap screw
411	joint ring	920	nut
412	o-ring	922	impeller nut
433	mechanical seal	930/.1/2	tooth lock washer
502/.1	wear ring	932	circlip
507	deflector	940/.1	key

When ordering spare parts, please indicate serial no., type no. and parts no. by all means.

CBF



CBFL



Part no.	Designation
100	casing
160	cover
182	foot
183	foot
220	stub shaft
230	impeller
341	lantern
412	o-ring
433	mechanical seal
507	deflector
551	disc spacer
681	coupling guard
557	supporting ring
901/.1/.2	hexagon screw
903	screwed plug
904	hexagon socket set screw
914	hexagon socket head cap screw
920	nut
922	impeller nut
930/.1/.2	tooth lock washer
932	circlip
940/.1	key

When ordering spare parts, please indicate serial no., type no. and parts no. by all means