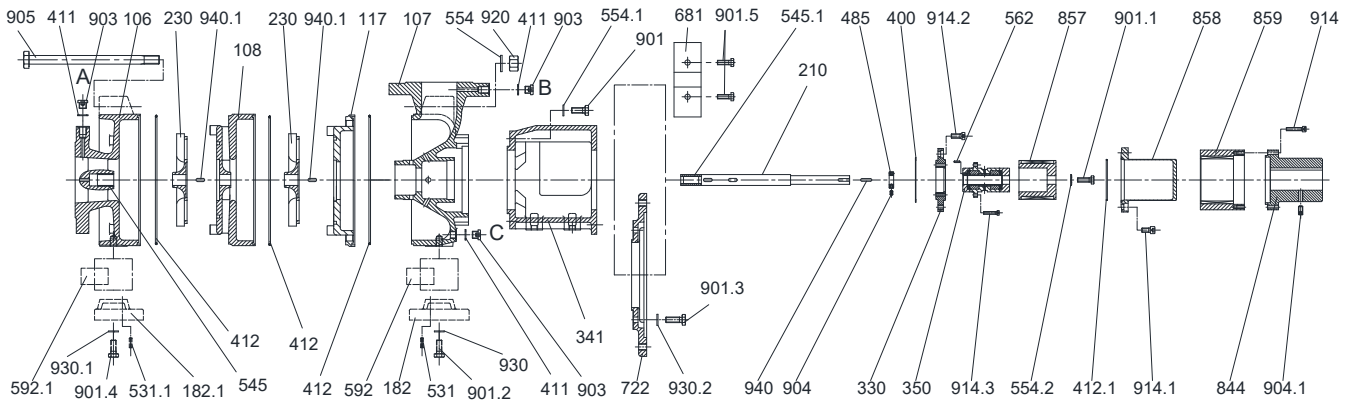
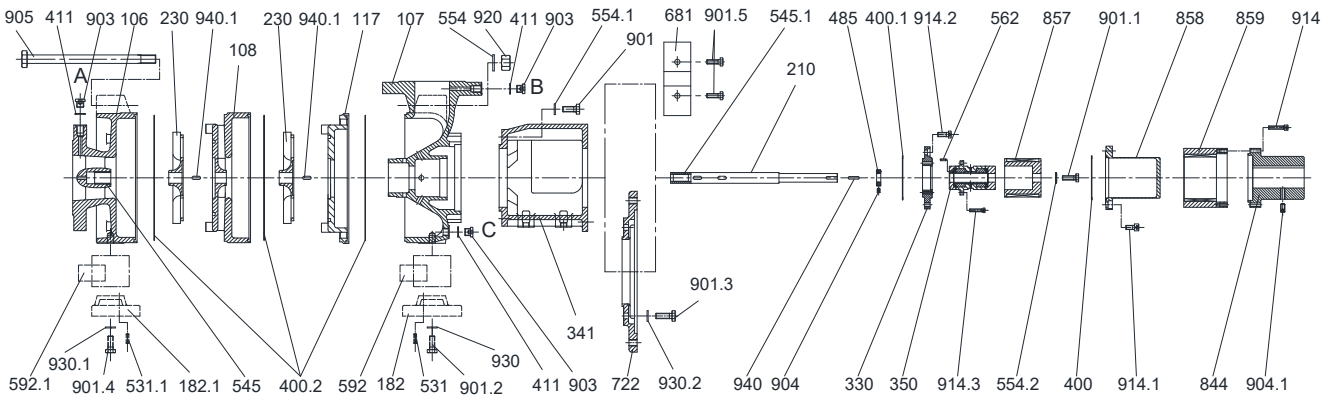


**LBM with O-Ring**



**LBM with gasket**



- A: Screwed plug G1/4 for vent and pressure gauge connection
- B: Screwed plug G1/4 for vent and pressure gauge connection
- C: Screwed plug G1/4 for drain

part no.	designation	part no.	designation	part no.	designation
106	suction casing	411	joint ring	857	inner rotor
107	delivery casing	412/.1	o-ring	858	coupling enclosure
108	stage casing	485	driver	859	outer rotor
117	end stage casing	531/.1	locking sleeve	901/.1-5	hexagon screw
182/.1	foot	562	straight pin	903	screwed plug
210	shaft	545/.1	bearing bush	904/.1	hexagon socket set screw
230	impeller	554/.1/.2	washer	905	tie bolt
330	bearing support	592/.1	base ( underlayer)	914/.1-.3	hexagon socket head cap screw
341	lantern	681	coupling guard	920	nut
350	bearing housing	722	intermediate flange	930/.1-.2	tooth lock washer
400/.1/.2	gasket	844	coupling half	940/.1	Key

When ordering spare parts, please indicate serial no., type no. and parts no.