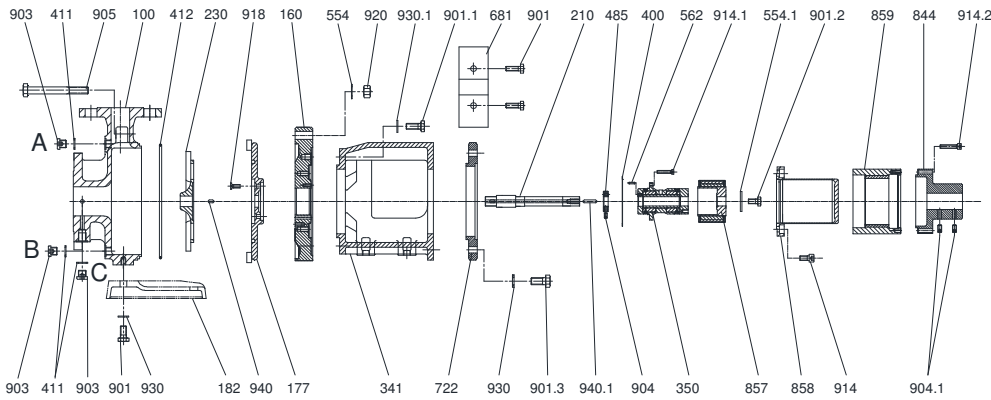
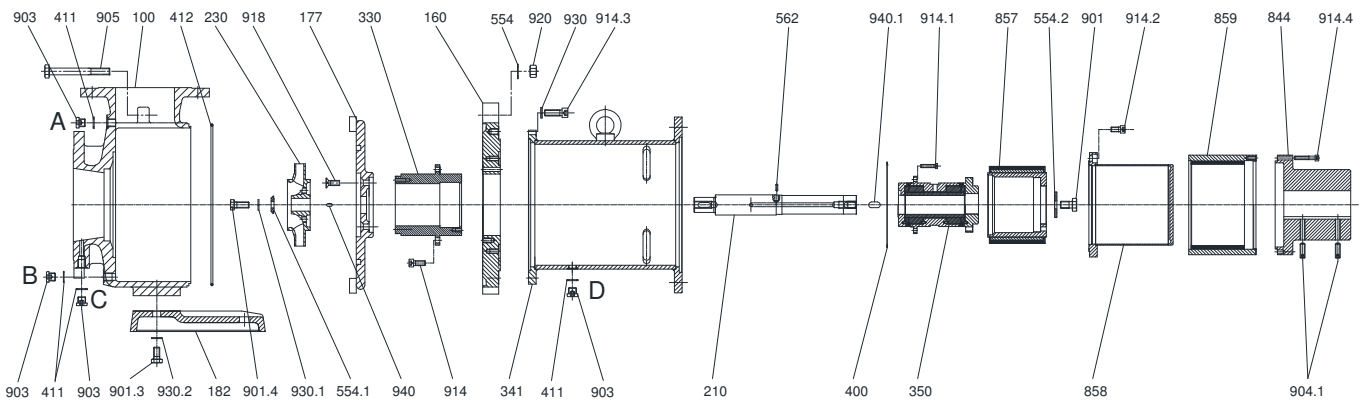


NMBL 300



NMBL 700



- A: Screwed plug G1/4 for vent and manometer connection
- B: Screwed plug G1/4 for drain
- C: Screwed plug G1/4 for manometer connection
- D: Screwed plug G1/4 for drain

Part no.	Designation	Part no.	Designation	Part no.	Designation
100	casing	485	driver	905	tie bolt
160	cover	554/.1/.2	washer	914/.1-.4	hexagon socket head cap screw
177	sealing chamber	562	straight pin	918	slotted countersunk head screw
182	foot	681	coupling guard	920	nut
210	shaft	722	intermediate flange	930/.1-.2	tooth lock washer
230	impeller	844	coupling half	940/.1	key
330	bearing support	857	inner rotor		
341	lantern	858	coupling enclosure		
350	bearing housing	859	outer rotor		
400	gasket	901/.1-.4	hexagon screw		
411	joint ring	903	screwed plug		
412	o ring	904/.1	hexagon socket set screw		

When ordering spare parts, please indicate serial no., type no. and parts no.