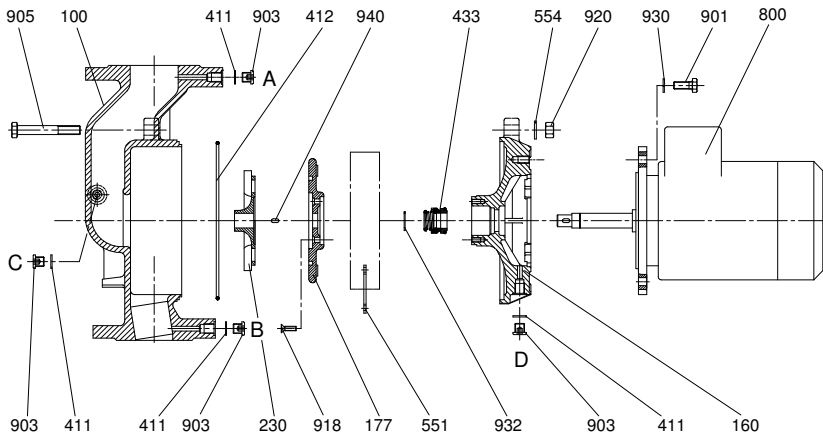
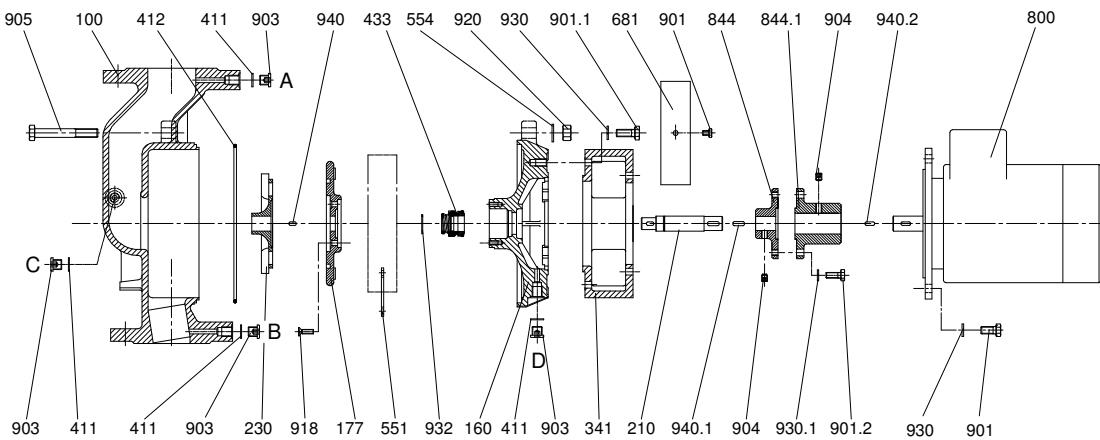


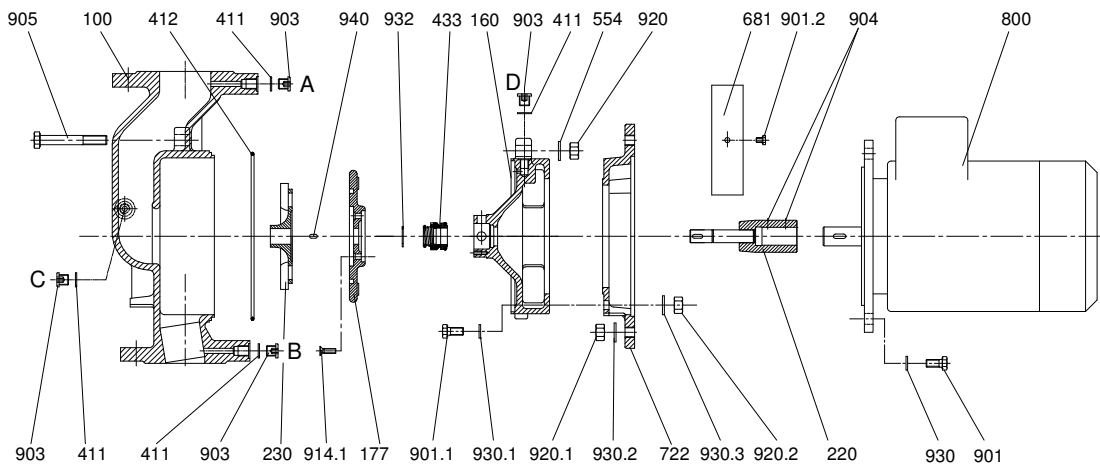
LUB 40 · LUB 65 · LUB 80



LUBL 40



LUBL 80



Part no.	Designation
100	casing cover
160	cover
177	sealing chamber
210	shaft
220	stab shaft
230	impeller
341	lantern
411	joint ring
412	o-ring
433	mechanical seal
551	disc spacer
554	washer
681	coupling guard

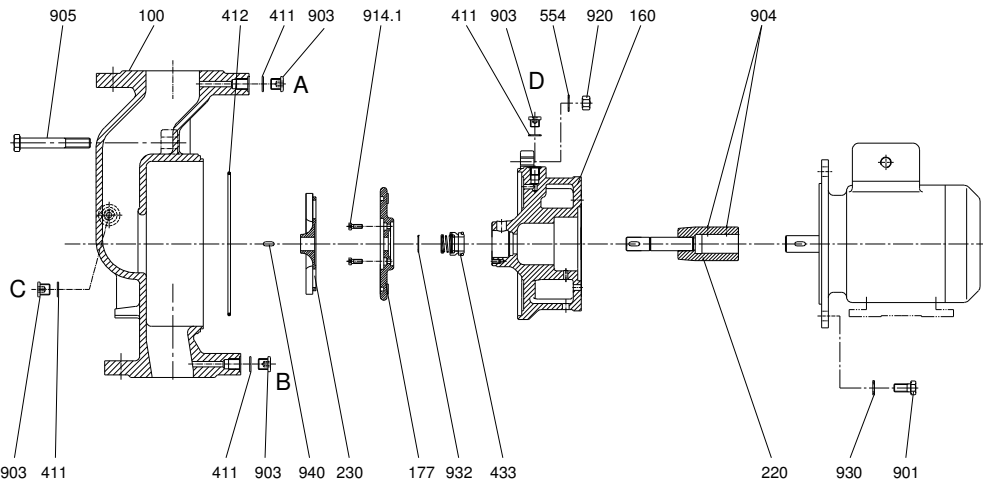
Part no.	Designation
722	intermediate flange
800	motor
844/.1	coupling half
901/.1+.2	hexagon screw
903	screwed plug
904/.1	hexagon socket set screw
905	tie bolt
914.1	hexagon socket head cap
918	slotted countersunk head screw
920/.1/2	nut
930/.1-2	tooth lock washer
932	circlip
940/.1+.2	key

- A: Screwed plug G1/4 for vent and manometer connection
- B: Screwed plug G1/4 for drain
- C: Screwed plug G1/4 for manometer connection
- D: Screwed plug G1/4 for vent

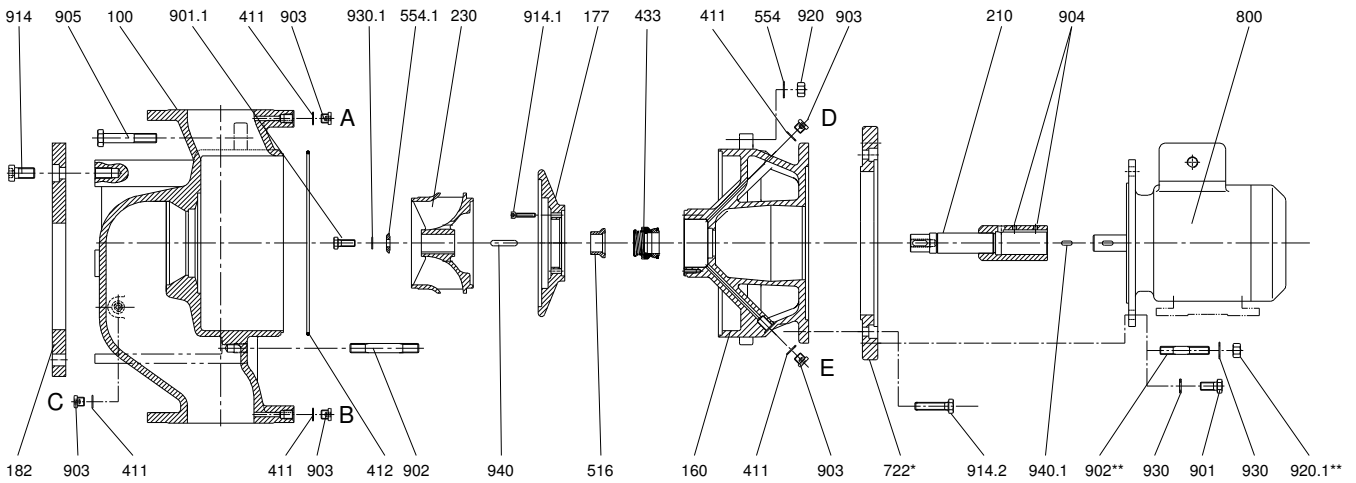
When ordering spare parts, please indicate serial no., type no. and parts no. by all means.

When ordering spare parts, please indicate serial no., type no. and parts no. by all means.

LUBS 65



LUBS 100



- A: Screwed plug G1/4 for vent and manometer connection
- B: Screwed plug G1/4 for drain
- C: Screwed plug G1/4 for manometer connection
- D: Screwed plug G1/4 for leakage drain
- E: Screwed plug G1/4 for drain

Part no.	Designation	Part no.	Designation
100	casing	800	motor
160	cover	901/.1	hexagon screw
177	sealing chamber	902**	stud
182	foot	903	screwed plug
210	shaft with disc type coupling	904	hexagon socket set screw
230	impeller	905	tie bolt
411	joint ring	914/.1-2	hexagon socket head cap screw
412	o-ring	920	nut
433	mechanical seal	920.1**	nut
516	shaft sleeve for mechanical seal	930/.1	tooth lock washer
554/.1	washer	940/.1	key
722*	intermediate flange		

A When ordering spare parts, please indicate serial no., type no. and parts no. by all means.

* LUBS 100 from 11,0 kW

** LUBS 100 only 11,0 kW to 18,5 kW

When ordering spare parts, please indicate serial no., type no. and parts no. by all means.