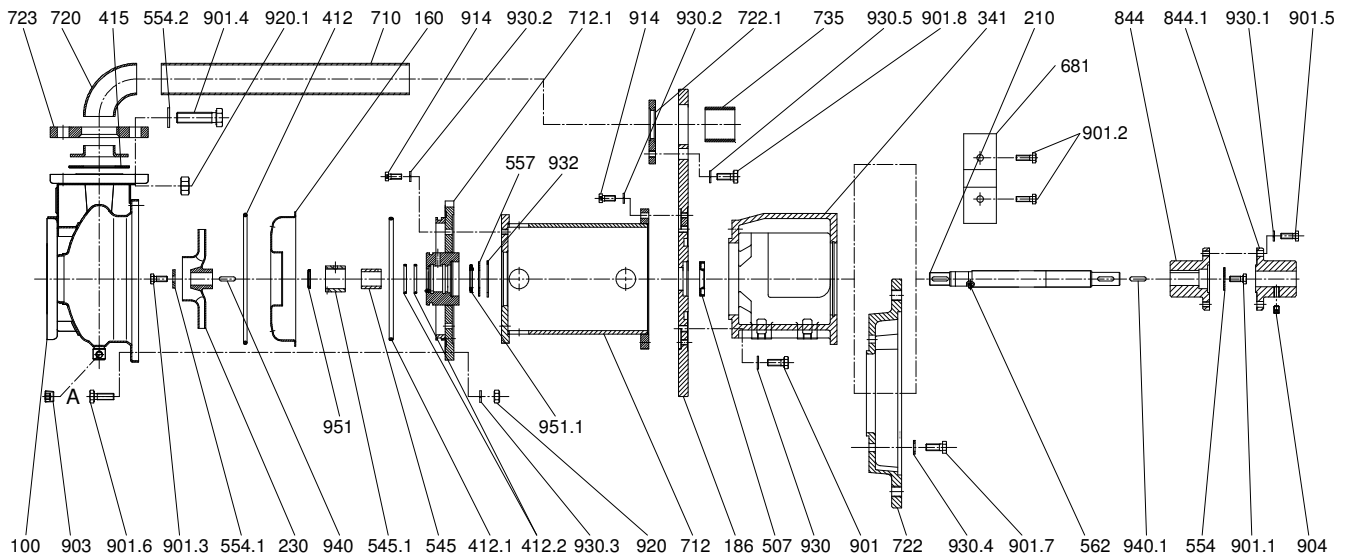


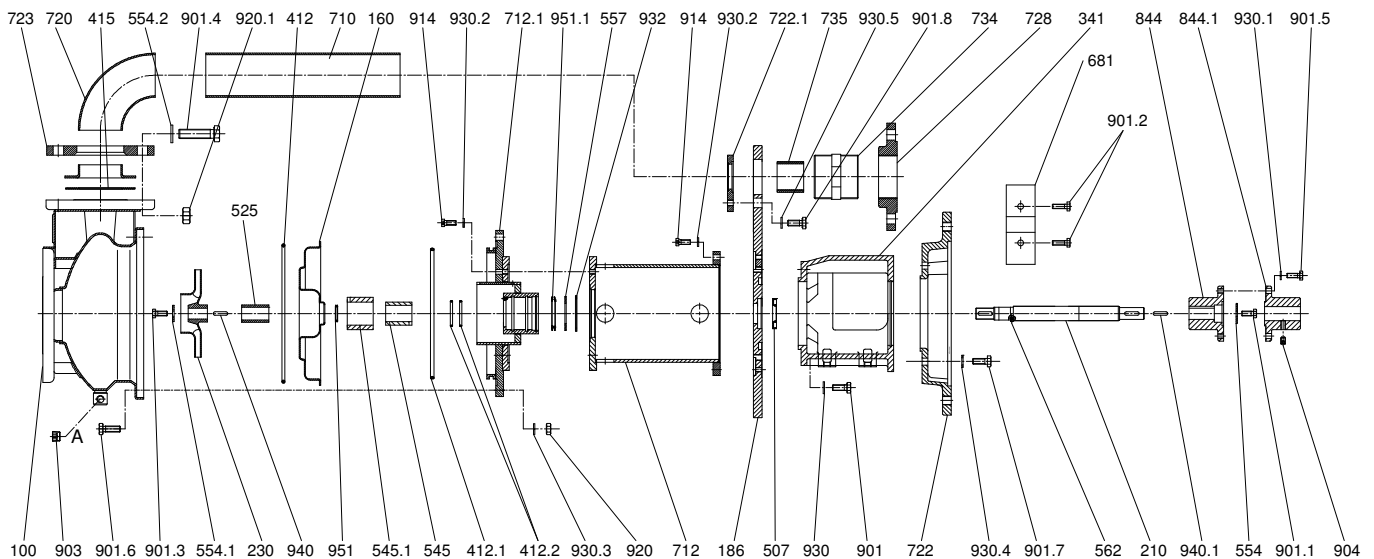
Pump View and List of Spare Parts



CTO(F)L 32-160 · 40-160 · 50-160 · 50-200



CTO(F)L 65-160



A: Screwed plug G1/8 for drain

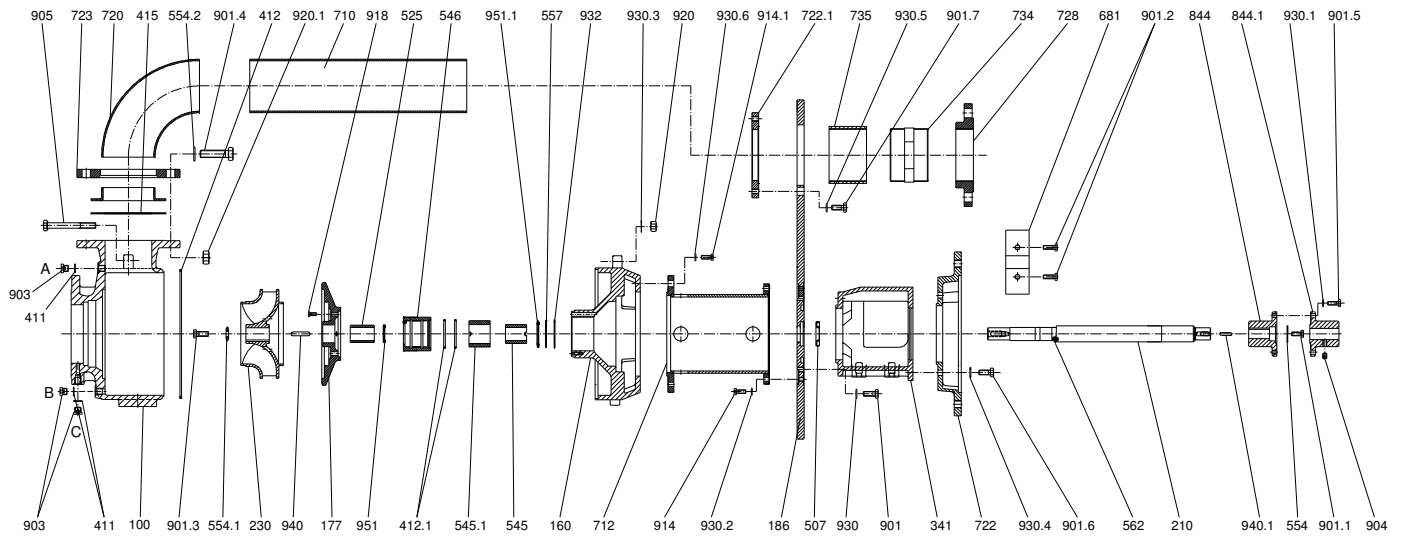
part no.	designation	part no.	designation	part no.	designation
100	casing	557	supporting disc	844/.1	coupling half
160	cover	562	cylinder pin	901/.1-.8	hexagon screw
186	cover plate	681	coupling guard	903	screwed plug
210	shaft	710	tube	904	hexagon socket set screw
230	impeller	712	support column	914	hexagon socket head cap screw
341	lantern	712.1	cover	920/.1	nut
412/.1-.2	o-ring	720	angle	930/.1-.5	tooth lock washer
415	rubber packing	722/.1	intermediate flange	932	circlip
507	radial shaft sealing ring	723	screwed suction flange	940/.1	key
525	spacer	728	threaded flange	951/.1	corrugated spring
545/.1	bearing bush	734	barrel nipple		
554/.1-.2	washer	735	bush		

When ordering spare parts, please indicate serial number, model number and parts number.

Pump View and List of Spare Parts



CTOL 700



- A: Screwed plug G1/4 for drain
- B: Screwed plug G1/4 for drain
- C: Screwed plug G1/4 for drain

part no.	designation	part no.	designation	part no.	designation
100	casing	546	socket receptacle	844/.1	coupling half
160	cover	554/.1-2	washer	901/.1-7	hexagon screw
177	sealing chamber	557	supporting disc	903	screwed plug
186	cover plate	562	cylinder pin	904	hexagon socket set screw
210	shaft	681	coupling guard	905	tie bolt
230	impeller	710	tube	914/.1	hexagon socket head cap screw
341	lantern	712	support column	918	slotted countersunk head screw
411	joint ring	720	angle	920/.1	nut
412/.1	o-ring	722/.1	intermediate flange	930/.1-6	tooth lock washer
415	rubber packing	723	screwed suction flange	932	circlip
507	radial shaft sealing ring	728	threaded flange	940/.1	key
525	spacer	734	barrel nipple	951/.1	corrugated spring
545/.1	bearing bush	735	bush		

When ordering spare parts, please indicate serial number, model number and parts number.