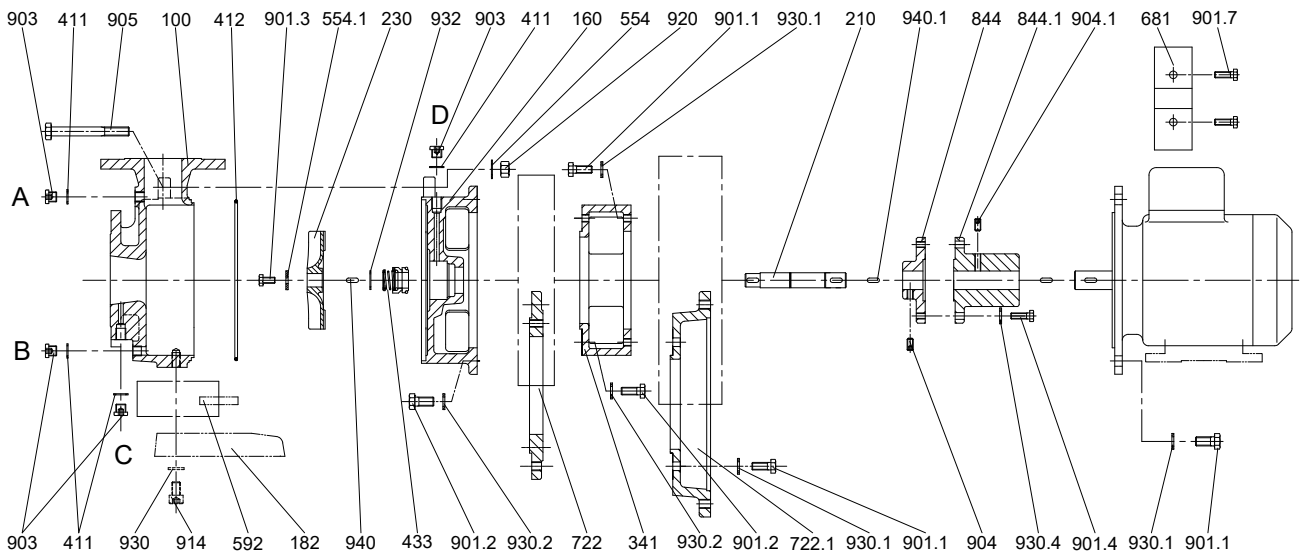
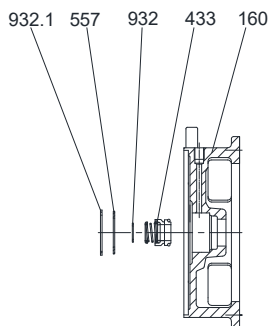


**(N)FUBL 300 ... 600**



**(N)FUBL 300 ... 600 with integral stationary seat lock**

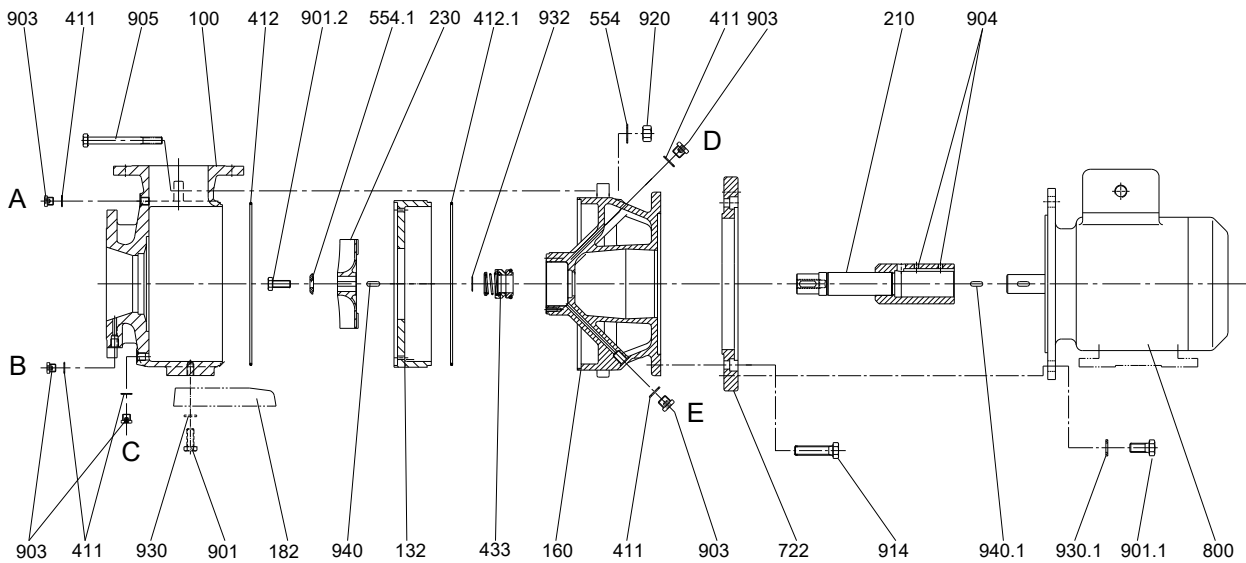


part no.	designation	part no.	designation	part no.	designation
100	casing	433	mechanical seal	903	screwed plug
160	cover	554/.1	washer	904/.1	hexagon socket set screw
182	foot	557	supporting ring	905	tie bolt
210	shaft	592	base ( underlayer)	914	hexagon socket head cap screw
230	impeller	681	coupling guard	920	nut
341	lantern	722/.1	intermediate flange	930/.1-4	tooth lock washer
411	joint ring	844/.1	coupling half	932/.1	circlip
412	o ring	901/.1-.7	hexagon screw	940/.1	key

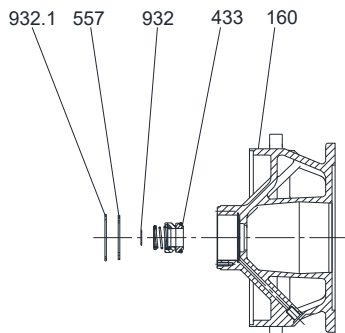
- A: Screwed plug G1/4 for drain and manometer connection
- B: Screwed plug G1/4 for vent connection
- C: Screwed plug G1/4 for manometer connection
- D: Screwed plug G1/4 for drain

When ordering spare parts, please indicate serial no., type no. and parts no.

**(N)FUBS 700**



**(N)FUBXS 700 with integral stationary seat lock**



part no.	designation	part no.	designation	part no.	designation
100	casing	433	mechanical seal	905	tie bolt
132	intermediate piece	554/.1	washer	914	hexagon socket head cap screw
160	cover	557	supporting ring	920	nut
182	foot	722 *	intermediate flange	930/.1	tooth lock washer
210	shaft with disc type coupling	800	motor	932/.1	circlip
230	impeller	901/.1-.2	hexagon screw	940/.1	key
411	joint ring	903	screwed plug		
412/.1	o ring	904	hexagon socket set screw		

\* from 11,0 kW

- A: Screwed plug G1/4 for drain and manometer connection
- B: Screwed plug G1/4 for vent connection
- C: Screwed plug G1/4 for manometer connection
- D: Screwed plug G1/4 for leakage drain
- E: Screwed plug G1/4 for drain

When ordering spare parts, please indicate serial no., type no. and parts no.