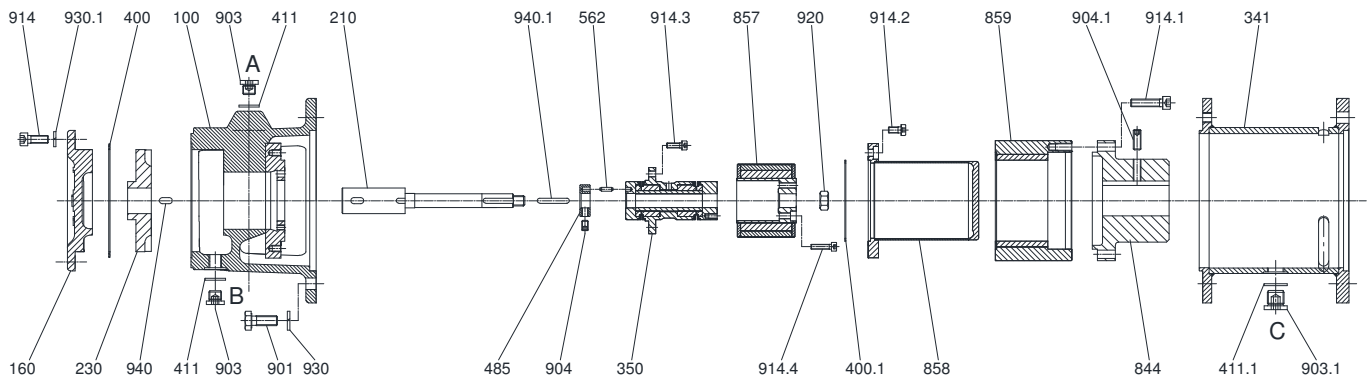


**PBM 201 E10**



A: 2 Screwed plug G<sup>1</sup>/<sub>8</sub> for vent and manometer connection

B: Screwed plug G<sup>1</sup>/<sub>8</sub> for drain

C: Screwed plug G<sup>1</sup>/<sub>8</sub> for drain

part no.	designation	part no.	designation	part no.	designation
100	casing	485	driver	901	hexagon screw
160	cover	411/.1	joint ring	903/.1	screwed plug
210	shaft	562	straight pin	904/.1	hexagon socket set screw
230	impeller	844	coupling half	914/.1-.4	hexagon socket head cap screw
341	lantern	857	inner rotor	920	nut
350	bearing housing	858	coupling enclosure	930/.1	tooth lock washer
400/.1	gasket	859	outer rotor	940/.1	key

When ordering spare parts, please indicate serial no., type no. and parts no.