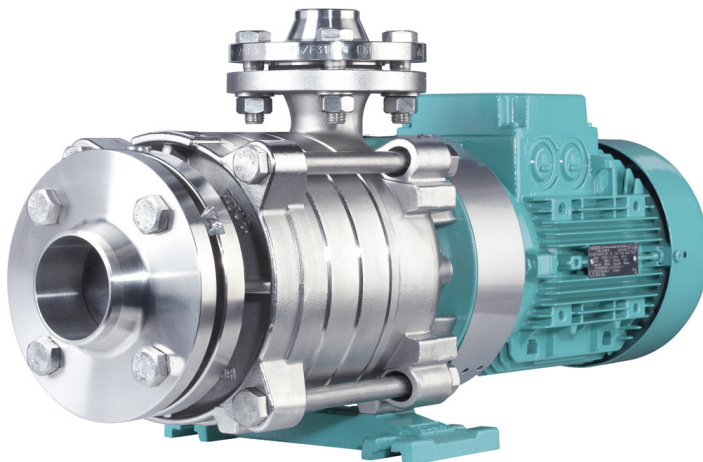




Service?
www.edur.com



Operating Instruction
LBM



Please keep your Operating Instruction in a safe place! Translation of the original operating instructions!



Persons with a Heart Pacemaker
must not install service or operate
the pump !

Contents

1	General information	3	5	Starting Operation/ Stopping Operation	9
1.1	Design	3	5.1	Preparations for Initial Operation	9
1.2	Intended Use	3	5.2	Initial Starting	9
1.3	Place of Operation	3	5.3	Restarting	9
			5.4	Stopping Operation	10
2	Security	4			
2.1	Identification of Safety Instructions in the Operating Manual	4	6	Service/Maintenance	10
2.2	Qualification and Training of Operating Personnel	4	6.1	Supervision of Operation	10
			6.1.1	Shaft Bearing	10
2.3	Hazards in the Event of Non-Compliance with the Safety Instructions	4	6.2	Maintenance	11
			6.2.1	Preparation	11
2.4	Compliance with Regulations Pertaining to Safety at Work	5	6.2.2	Dismounting	11
			6.2.2.1	Pump	11
2.5	Safety Instructions relevant for Operation	5	6.2.2.2	Motor	12
2.6	Safety Instructions relevant for Maintenance, Inspection and Assembly Work	5	6.2.3	Mounting	12
			6.2.3.1	General Remarks	12
2.7	Unauthorized Alterations and Production of Spare Parts	5	6.2.3.2	Mounting of the Motor	12
2.8	Unauthorized Modes of Operation	5	7	Disturbance	13
3	Transport and Intermediate Storage	6	8	Pump View and List of Spare Parts	14
3.1	Transport	6	8.1	LBM	14
3.2	Intermediate Storage	6			
3.2.1	Internal Preservation	6			
3.2.2	Preservation Control	6			
3.2.3	Removal of Preservation	6			
4	Mounting	6			
4.1	Installation	6			
4.2	Connected Loads	7			
4.3	Direction	7			
4.4	Coupling Protection / Protective equipment	7			
4.5	Piping	8			
4.5.1	General Remarks	8			
4.5.2	Permitted loads and torques	8			
4.5.3	Suction Pipeline	8			
4.5.4	Pressure Pipeline	9			
4.5.5	Additional Connections	9			
4.6	Low-Noise Installation	9			

Translation

When shipping to EEA Countries, the operating instructions are to be translated into the respective language of the country where the device is to be used. In the event that discrepancies arise in the translated text, the original operating instructions (German) are to be consulted or the manufacturer is to be contacted in order to clarify the discrepancy.

Copyright

The forwarding and reproduction of this document, the use and disclosure of the contents of this document is forbidden unless explicitly permitted. Failure to comply with this will result in liability for damages.

All rights reserved.

1 General information

The most important operating data can be found on the identification plate. **It must be ensured that the pump type and all technical data correspond to the system / machine project data.** It must be observed that the electric motor is provided with its own identification plate complete with additional technical data. The motor data must also correspond with the system / machine project data.

The separately enclosed operating instructions are also to be observed when dealing with pumps in accordance with EC Directive 2014/34/EU (ATEX). These instructions contain additional instructions and requirements with regards to the correct and proper use of pumps in potentially explosive areas.

The pumps may not be commissioned until the following points have been observed / ensured:

- Inappropriate physical and mental strain placed upon the operation staff must be reduced to an absolute minimum level by taking ergonomic principles into account.
- A safe working environment must be guaranteed. Controls are to be designed and constructed in such a manner that no hazardous situations can occur. Furthermore, such situations may not occur even in the event of faults / breakdown of the control. In particular, the pump may not be unintentionally started. It must also be the case that the supply / discharge lines to and from the pump can also be closed.
- It must be guaranteed that the pump can be safely stopped. Irrespective of the type of operation, the EMERGENCY STOP function must be available and ready for operation at all times. In doing so, it must be taken into consideration that equipment connected to the pump can also be stopped in the event that a hazard can occur if such equipment continues to be operated.
- The supply / discharge lines must be able to withstand the possible internal and external pressure loads
- By implementing suitable precautions, it must be ensured that no injuries can occur by touching the pumps, e.g. with regards to extreme temperatures.
- When conveying materials that pose a hazard to health / environment, it must be ensured that these materials can also be collected and taken away safely. Any risk with regards to inhalation, ingestion as well as contact with the eyes, skin and mucus membranes must be prevented.

1.1 Design

Horizontal and vertical, single-stage or multi-stage ring section pumps, with or without an electric drive unit, on a common bed-plate or unit-construction pumps, available in different construction materials, sizes and with different shaft sealings.

Self-priming pumps are provided with an inlet bend fitted at the suction branch.

1.2 Intended Use

Temperature: -40°C up to 220°C

Operating Pressure: 25 bar (40bar)

Viscosity: ≤ 115 mm²/s

Ambient Temperature: -20°C up to 40 °C

Power adjustment

The power of the motors is to be reduced in accordance with the guidelines provided by the motor supplier in the event that the motors are positioned in ambient temperatures of above 40°C or in a location that is more than 1000m above sea-level.



The conveying of liquids that may chemically corrode the pump material or that contain abrasive components will destroy the pumps. The conveyed material must be suitable for use with the pump material.

The power consumption of the pump proportionally changes based upon the density of the conveyed material. The densities must correspond to the order data in order to avoid excess strain being placed upon the pump and motor.

1.3 Place of Operation

The pump unit must be freely accessible for the purpose of supervision, servicing, maintenance, mounting and dismounting.

Avoid using it in corrosive and very dusty surroundings.

The limiting values of the electric drive unit with regard to the insulation material class and the types of protection must be observed. For other drive units supplied, see the enclosed separate operating instructions.

The most important operational data are mentioned on the type label. The sound pressure L_{pA} following VDI-guidelines 3743 sheet 1 depending on the nominal pump power input P will be seen from the diagram underneath.

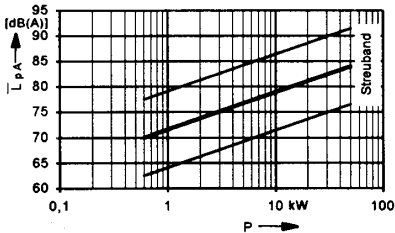


Fig. Noise emission

The actual sound level ascertained at place of installation will possibly differ considerably from these values due to the operating conditions and the conditions of installation.

Increased noise emissions may be caused by cavitation, faulty / worn bearings or vibrations. Installation, maintenance and service instructions are to be observed.

2 Security

This operating manual gives basic instructions which are to be observed during installation, operation and maintenance of the pump. It is therefore imperative that this manual be read by the responsible personnel/operator prior to assembly and commissioning. It is always to be kept available at the installation site.

It is not only the general safety instructions contained under this main heading safety that are to be observed but also the specific information provided under the other main headings.

2.1 Identification of Safety Instructions in the Operating Manual

Safety instructions given in this manual non-compliance with which would affect safety are identified by the following symbol:



see DIN 4844-W9

or where electrical safety is involved, with



see DIN 4844-W8

Instructions non-compliance with which would give rise to malfunctioning of the machinery are identify by the word

CAUTION

It is imperative that signs affixed to the machine, e. g.

- arrow indicating the direction of rotation
- symbols indicating fluid connections

be observed and kept legible.

2.2 Qualification and Training of Operating Personnel

The personnel responsible for operation, maintenance, inspection and assembly must be adequately qualified. Scope of responsibility and supervision of the personnel must be exactly defined by the plant operator. If the staff does not have the necessary knowledge, they must be trained and instructed, which may be performed by the machine manufacturer or supplier on behalf of the plant operator. Moreover the plant operator is to make sure that the contents of the operating manual are fully understood by the personnel.

2.3 Hazards in the Event of Non-Compliance with the Safety Instructions

Non-compliance with the safety instructions may produce a risk to the personnel as well as to the environment and the machine and results in a loss of any right to claim damages.

For example, non-compliance may involve the following hazards:

- Failure of important functions of the machine/plant
- Failure of specified procedures of maintenance and repair

- Exposure of people to electrical, mechanical and chemical hazards
- Endangering the environment owing to hazardous substances being released



Injuries to hands can occur during maintenance and repair works. Ensure that all safety instructions are observed.

Danger areas on the pump

During maintenance and cleaning work, an area measuring approximately 1 m around the pump will serve as a danger area. This area may also be increased in size in the event of faults. The operating area is only located at the operation elements.

2.4 Compliance with Regulations Pertaining to Safety at Work

When operating the pump, the safety instructions contained in this manual, the relevant national accident prevention regulations and any other service and safety instructions issued by the plant operator are to be observed.

2.5 Safety Instructions relevant for Operation

- If hot or cold machine components involve hazards, they must be guarded against accidental contact.
- Guards for moving parts (e.g. coupling) must not be removed from the machine while in operation.
- Any leakage of hazardous (e.g. explosive, toxic, hot) fluids (e.g. from the shaft seal) must be drained away so as to prevent any risk occurring to persons or the environment. Statutory regulations are to be complied with.
- Hazards resulting from electricity are to be precluded (see, for example, the VDE Specifications and the bye-laws of the local power supply utilities).

2.6 Safety Instructions relevant for Maintenance, Inspection and Assembly Work

It shall be the plant operator's responsibility to ensure that all maintenance, inspection and assembly work is performed by authorized and qualified personnel who have adequately familiarized themselves with the subject matter by studying this manual in detail.

Any work on the machine shall only be performed when it is at a standstill, it being imperative that the procedure for shutting down the machine described in this manual be followed.

Pumps and pumps units which convey hazardous media must be decontaminated.

Replacement parts that have not been supplied by the manufacturer are not tested and not approved for use. The installation and usage of such replacement parts can have a negative impact upon the pump characteristics.

The manufacturer is not liable for any damages caused by the usage of non-original parts.

On completion of work all safety and protective facilities must be re-installed and made operative again.

Prior to restarting the machine, the instructions listed under Initial commissioning are to be observed.

2.7 Unauthorized Alterations and Production of Spare Parts

Any modifications may be made to the machine only after consultation with the manufacturer. Using spare parts and accessories authorised by the manufacturer is in the interest of safety. Use of other parts may exempt the manufacturer from any liability.

2.8 Unauthorized Modes of Operation

The reliability of the machine delivered will be only guaranteed if it is used in the manner intended, in accordance with our order documentation, especially with the order confirmation.

The limit values specified in the data sheet must under no circumstances be exceeded. The pump may only be operated in the authorised curve range.

3 Transport and Intermediate Storage

3.1 Transport

The pump unit must be transported in a level or horizontal manner.

When transporting the complete pump unit by crane, mount the ropes as shown in the figure.

CAUTION The crane facility and the ropes must be of sufficient capacity. The ring loop of the motor must not be used for transport of the complete pump unit.



A pump that is insufficiently secured can lead to persons being seriously injured.

Hoisting equipment and slinging belts are to be sufficiently measured for the entire weight of the pump.

If necessary, ensure that the pump is secured during transport with the use of appropriate slinging equipment. The pump is only to be positioned on a surface that is sufficiently solid and is level in all directions.

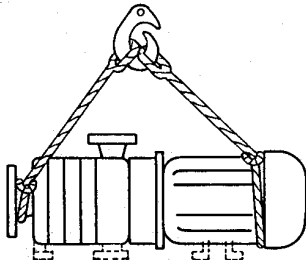


Abb. 2.1b Pumpen der Baureihe L

CAUTION For transport only the screws between foot of suction casing and base plate are tightened at our works. Please take care that before setting into operation the screws have to be released by all means resp. in case of a transport again have to be tightened.

In this regard also see section 4.1

3.2 Intermediate Storage

On delivery, all pumps are preserved. Thus, they can be stored for 6-12 months. If the storage time is longer or the pumps are not in operation, they must receive additional preservation on the inside. The preservation means (please consult us) depends on the used materials and conditions of operation.

The storage room must be roofed and well ventilated. Avoid temperatures below zero and high humidity.

3.2.1 Internal Preservation

Close the suction branch securely. Fill the pump with the preservation means and slowly turn the rotor manually. Close the pressure branch securely.



A rotating impeller can cut or crush hands and arms. Do not reach into the pressure or suction sockets of the pump housing.

3.2.2 Preservation Control

Check the filling level of the pump and turn the rotor by hand at regular intervals of 3 months. Refill preservation means, if necessary.

3.2.3 Removal of Preservation

Prior to operation, the pump must be rinsed thoroughly. In the case of additional preservation, the preservation means on the inside must at first be removed.

4 Mounting

4.1 Installation

The complete pump unit is generally mounted on a pedestal. The pedestal must be even and must have fasteners and a sufficient load capacity. Instead of the pump being secured by means of fasteners, the bed-plate of horizontal pumps or the suction casing of vertical pumps can be sealed in the pedestal by a depth of about 20 mm. The complete pump unit must be adjusted by means of a spirit level when it is being mounted on the pedestal. The levelling plates are to be installed between the bed-plate or suction casing and the pedestal as well as close to any existing fasteners. All levelling plates must be well set. The fasteners must be tightened steadily after the complete pump unit has been adjusted. In the case of self-priming pumps, the pipe bend must not be removed or distorted.



Physical injury can occur during the pump installation phase.

Safety regulations and the generally recognised engineering regulations are to be observed.

The operator is to ensure a direct and barrier-free access to the pump and must also guarantee good visibility conditions. The operator is to protect the pump against environmental impacts (wind, rain, frost, sand, etc.).

CAUTION Even if the pump unit is delivered completely mounted on the bed-plate, the coupling must be checked thoroughly after the piping has been connected and the bed-plate secured. If necessary, pump and motor must be readjusted.

When checking the coupling and adjusting the unit, first loosen the pump footings and then retighten them but without stresses.

CAUTION If the pump has two pump footings, the pump footing below the suction casing must never be screwed to the bed-plate in order to avoid axial distortion.

4.2 Connected Loads



Work must only be executed when electricity is switched off. Make sure that the system cannot be powered on accidentally.

CAUTION An overload protection system (e.g. motor protection switch, etc.) must be in place in order to protect the pump and the motor.

The separately enclosed motor safety guidelines and instructions are to be observed.

When using motors that are equipped with frequency converters (FC), the safety guidelines and instructions contained in the separately enclosed FC operating instructions are to be observed. An appropriate risk analysis is to be carried out by the system operator due to the fact faults and malfunctions of the frequency converter cannot be completely prevented as a result of electromagnetic radiation.

Prior to connecting the pump to the power system, fill it with pumped liquid. The pump must by no means be operated without liquid!

The pump must be connected according to international national requirements as well as according to the requirements of the local mains system. Voltage and frequency must correspond to the winding of the electric drive. For details of the respective winding, see the type label.

The motor must not be operated without motor protection facility.

For motors with explosion protection, the range of temperature of the motor indicated on the type label must correspond to the range of the fuel gas.



Overheating damages the three-phase alternating current motor. Ensure that a sufficient supply of cool air is in place during operation.



earthing.

Electrical power can lead to death. Ensure that a potential equalisation connection is in place between the pump housing and the building



Incorrect electrical switching modes will lead to the breakdown of the three-phase alternating current motor. Observe the switching mode.

4.3 Direction

Switch on the motor briefly in order to check the direction of rotation. The motor must not reach its operational speed. The direction of rotation must correspond to the arrow indicating the direction of rotation on top of the pump. If the direction of rotation is not correct, perform the relevant modifications at the phase-sequence.

The switching on / operation of opened pumps (outside of the pipe line network) is forbidden.



A rotating impeller can cut or crush hands and arms. Do not reach into the pressure or suction sockets of the pump housing. Secure the pump appropriately when carrying out a rotational direction check.



The dry operation of the pump destroys / damages the mechanical seal and leads to leakage and the discharge of the conveyed material. Ensure that the pump is switched off again immediately after the warm-up phase.



The incorrect rotational direction of the pump destroys / damages the mechanical seal and leads to leakage and the discharge of the conveyed material.

4.4 Coupling Protection / Protective equipment



The pump must not be operated if coupling protection is not fitted. If this coupling protection is not supplied by the manufacturer, the operator of the pump must supply it himself.

CAUTION In the event that hot or cold pump parts lead to hazards, appropriate protective measures (contact protection) are to be installed on-site. Operation without affixed protective equipment is forbidden.

4.5 Piping

4.5.1 General Remarks

Pressure lines are to be laid in accordance with the respectively valid guidelines as well as the relevant accident prevention regulations. Pipe lines and pumps are to be secured against tripping. If required, a safety area is to be provided against tripping.

The flange covers located on the suction and pressure sockets on the pump are to be removed before installing into the pipe line. The containers, pipe lines and connections must be thoroughly cleaned and rinsed before commissioning. It is often the case that welding beads, scale and further contaminants only disengage after some time. These contaminants are to be kept away from the pump by implementing appropriate measures, e.g. using a filter in the suction line.

CAUTION Observe the conveying and connection direction (suction / pressure flange) of the pump. An incorrect conveying direction of the pump can lead to system faults.

The nominal widths of the pipes must be at least as wide as those of the pump connection joints. For adapters, use extension angles of 8°, if possible.

The pipes must be gathered and secured right in front of the pump so that their weight does not affect the pump. The negative effects of variations in temperature and occurring oscillation may be reduced by installing a suitable bellow expansion joint (see section 4.6).

Measuring equipment for supervision of the pump operation is required.

Prior to operation, all parts in contact with liquids must be thoroughly cleaned.

CAUTION Under no circumstances may the pump be used as a fixed point for the pipe line. No loads or torques arising from the pipe line system, e.g. as a result of twisting, heat expansion, etc. may have an impact on the pump.

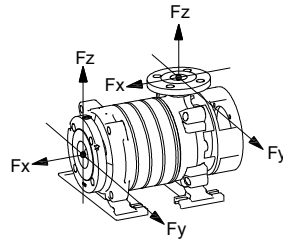


Hot and discharged conveyed materials pose a risk to life.
Do not exceed the permitted pipe line forces.

4.5.2 Permitted loads and torques

Maximum permitted loads and torques Data based upon DIN EN ISO 5199					
sockets	loads [N]				torques [Nm]
ø DN	F _y	F _z	F _x	∑F*	∑M*
40	300	375	330	585	490
65	510	630	555	990	595
80	615	750	675	1185	648
100	810	1005	900	1575	735
125	960	1185	1065	1860	893

*∑F and ∑M represent the vector sums of the loads and torques



The data concerning the loads and torques are only valid for static pipe line strains. All values given for loads and torques are related to the standard cast iron material (0.6025).

CAUTION The permitted loads and torques are to be reduced by 50% when dealing with pump models without one support foot located underneath the pump.

4.5.3 Suction Pipeline

The suction pipeline must be as short as possible. Variations in diameter and additional piping must be kept to a minimum. The suction pipeline towards the pump must be rising, the inlet must be descending to prevent an air pocket from being formed. For non-self-priming pumps, installation of a foot valve into the suction pipeline is compulsory in order to avoid that, in case of a standstill, the pump and the suction pipeline run out of liquid during suction operation.

Contamination of the pumped liquid is to be avoided by using a suction hose or a filter. By no means must air penetrate through the liquid level via the suction hose or dirt be whirled up from the liquid pool. Clean the suction hose and filter regularly. To close the suction pipeline in the case of mounting or maintenance work, a stop valve must be provided near the pump. The stop valve must not be used for adjustment and must be completely open during operation.

4.5.4 Pressure Pipeline

For adjustment, repair and mounting of the pump, a stop valve is to be provided near the pressure joint.

4.5.5 Additional Connections

For the position and dimension of required additional connections as e.g. for rinse, stop and quench liquid, refer to the labels supplied with the pump or to the drawings in the operating instructions. The rinse, stop and quench liquids must be checked at regular intervals.

Connections for ventilation and release of the leakage liquid are also described in the drawings.

4.6 Low-Noise Installation

A reduction in noise (Fig. 4.6a) can be achieved by isolating the pedestal (1) from the ground by means of an appropriate insulation board (2) and by using suitable bellow expansion joints between the piping and the pump. The pedestal (1) must not be secured to the ground or to the walls.

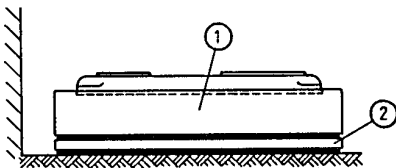


Fig. 4.6a Low-Noise Installation

Another possibility to reduce the noise is the use of oscillation absorbers. In this case, you need to install a frame under the base of the pump.



Bellow expansion joints must be checked regularly for brittle and cracks.

5 Starting Operation/ Stopping Operation

5.1 Preparations for Initial Operation

Prior to the start, the pump and the suction pipeline must be drained of air and be completely filled with the pumped liquid. The stop valve in the suction or inlet pipeline must be completely open, if there is one. For self-priming pumps, the pump must only be completely drained of air and filled with the pumped liquid.

CAUTION A pump / pipe line that is not de-aerated leads to the destruction / damage of the mechanical seal. Conveyed material may be discharged.

Before commissioning, it must be ensured that the pump and pipe lines have been connected / assembled in accordance with the guidelines and in a fixed manner. The pump may only be operated provided that protective equipment (coupling protection / fan guard) is in place. The pump must be operated with contact protection when dealing with hot conveyed material.

CAUTION Do not block the motor fan with foreign articles. Blockage will lead to the ejection of foreign articles and overheating / breakdown of the motor.

5.2 Initial Starting

The pump must not be started until the outlet stop valve is closed so as to avoid overload of the motor. Immediately after reaching the operational speed, slowly open the stop valve of the pressure pipeline and adjust the operating point.

Until the liquid starts moving against atmospheric pressure, the hydrostatic pressure for self-priming pumps must not exceed 1 bar with reference to the difference in height between suction and outlet liquid level and to the density of the pumped liquid.



The pump must never be operated for a longer period if the outlet stop valve is closed. The pump unit will be damaged if the pumped liquid exceeds the permitted temperature.

5.3 Restarting

Do not restart the pump until the pump shaft stands still.

CAUTION Backflow of liquid must not result in a change of direction of rotation of the pump. If this is the case, mechanical seals dependent on direction of rotation may be damaged.

CAUTION Before re-starting the pump, it must be ensured that the pump has not incurred any damage during the downtime and that all safety and protective equipment is affixed.

5.4 Stopping Operation

Close stop valve of the pressure pipeline. If there is a backflow stop and sufficient counter pressure in the pipeline, the stop valve can remain open. Switch off the motor and observe that it slows down smoothly. Close stop valve of the pressure pipeline. If the pumped liquid reaches temperatures below zero and/or if longer periods of standstill occur, the pump must be drained completely and be preserved (see section 3.2.1).

6 Service/Maintenance

6.1 Supervision of Operation

CAUTION The pump is to be secured against being unintentionally switched on during maintenance and cleaning work. Work may only be carried out provided that the system / pump is in a pressure-free condition.

Maintenance and cleaning work may only be carried out by expert staff members. The expert staff members must be provided with personal protective equipment.

Ensure that the pump is cleaned and maintained at regular intervals in order to be able to ensure a trouble-free operation.

CAUTION Conveyed material that poses a hazard to health can place a person's health at risk. The operator is to equip the system with collection equipment or other appropriate protective measures. Personal protective equipment such as gloves and protective goggles must always be worn.

Ensure that the pump runs free of vibration and smoothly. Ensure that the pump runs in a quiet and vibration-free manner. Inspect the pump for loose connections at regular intervals (an interval of 4 months is recommended). Regularly remove deposits of dust as well as contaminations.



Physical injury can occur when carrying out maintenance and cleaning work on the pump.

Safety regulations and the generally recognised engineering regulations are to be observed.

The pump must by no means be operated without liquid.

There is only a minimal or invisible loss of leakage (steam) if the mechanical seals function correctly. Gland packings should drip slightly.

Do not operate the pump for a longer period with a closed stop valve.

The maximum permitted environmental temperature is 40°C. The storing temperature measured at the motor or pump casing may exceed the environmental temperature by 50°C. It must not exceed 90°C. Only operate the pump at a higher temperature with the manufacturer's approval.

We have to point out that an increased wear may occur in case of transport of abrasive / corrosive media.

CAUTION In case of corrosive / abrasive media to be pumped pressurized components have to be checked regularly in order to detect wear in time - before a damage occurs. The intervals have to comply with the liquids to be pumped and initially have to be carried out more frequently, until perceptions about the progress of wear are attained.

Installed pumps must be powered on and off briefly once a week in order to guarantee that they are ready for operation.



Insufficient rotary motion of the motor shaft will lead to the impeller becoming stuck and the mechanical seal breaking down. This can lead the discharge of the conveyed material.

6.1.1 Shaft Bearing

Under normal operation conditions, replace the motor bearings after 20.000 hours of operation or at the latest after 2,5 years. In the case of bad operation conditions, as e.g. a high environmental temperature or a corrosive and dusty environment, the motor bearings must be checked at an earlier date and, if necessary, be replaced.

Pump bearings with a lubrication device must be checked every 5000 hours of operation. Dirty bearings must be cleaned and filled with new lubricant. The free space in the bearing and casing should be filled by 30-50% with lubricant. Do not use resinous or acid lubricants. Its consistencies (NLGI grade) should correspond to a worked penetration of 265 to 295 mm/10. Lithium-base soap lubricants with a drop point of more than 185°C are to be used for pumped liquids which have a maximum temperature of 110°C. For pumped liquid with a higher temperature, use silicon lubricants with a lithium-base soap and with a drop point of more than 215°C.

If necessary, the bearings can also be lubricated with lubricants of a different soap base. For this based on different soaps must not be mixed. The required re-lubrication periods must then be adapted to the type of lubricant used.

Faulty / worn bearings lead to subsequent damage and can result in increased noise emission.

6.2 Maintenance

6.2.1 Preparation



In order to make sure that the pump cannot be started, separate the power cable from the motor. Secure the unit against accidental switch-on.

The stop valves located in the pressure and suction line are to be closed and secured against unauthorised opening. The pump casing must have reached the environmental temperature and be drained of liquid and pressure. In the case of pumps in unit-construction with mounting flange, the container must be drained completely.



Leaking conveyed material can injure hands and arms. Ensure that the pump housing is in a pressure-free condition. Only then may the pump be emptied.



When dealing with pumps that have been used to convey materials that pose a hazard to health / to the environment, ensure that no danger to persons and the environment can occur when emptying the pump. Wear appropriate protective clothing and, if required, protective mask.

The rinsing liquid used and the remaining liquid located in the pump must be professionally collected and disposed of without posing any hazards to persons or to the environment.



Pumps or units which pump hazardous substances that are dangerous to the environment must be completely decontaminated.



Hazardous substances and/or environmentally harmful media must be drained off and collected such that no danger to life and limb is created. Environmentally compatible disposal must be ensured.

There are strong permanent magnets inside the pump. Magnetic fields are detectable in the immediate vicinity of magnet rotors when they are disassembled. Persons with **heart pacemakers** fitted should not mount, service or operate the pump.

CAUTION

The slide bearing parts are ceramic and must be handled with great care, same like the fragile magnets.

6.2.2 Dismounting

By no means use force while dismantling the pump.



Pumps that are used to convey material that is hazardous to health and to the environment must be decontaminated. When releasing the material, ensure that no danger to persons and the environment can occur when emptying the pump. Legal requirements are to be observed and adhered to.



The pump must always be secured against tipping over. There is a risk of tipping over when loosening the pump from the outside of the pipe line network. Persons can be seriously injured if the pump tips over. During the transport phase, ensure that the pump is secured using appropriate slinging equipment. The pump is only to be positioned on a surface that is sufficiently solid and is level in all directions.

CAUTION

The pump may only be dismantled when in a pressure-free, empty, de-contaminated (if required) and secured condition. Protective clothing and protective mask must be worn if required.

Unit-construction pumps:

- Separate the pump from the piping and any additional connections
- Loosen the fasteners

Pumps with a motor on a common bed-plate:

- Separate the pump from the piping and any additional connections
- Remove the coupling protection
- Loosen the pump from the bed-plate and remove it from the motor
-

For fixed parts of the casings, impellers and couplings, use appropriate dismantling facilities. Impellers, which cannot easily be removed from the shaft, can be pushed back from the shaft by means of two hexagon screws.

6.2.2.1 Pump

CAUTION

The pump is always dismantled on the suction side and with the shaft in a horizontal position. Refer to enclosed drawings on page 13 to 14 (only pumps of structural forms LBM) or in the supplementary sheet for the dismantling sequence.

For unit-construction pumps, the pump and motor must not be separated for the axial fixing of the pump shaft.

To prevent the partially mounted pump or the complete pump unit from tilting, put blocks as a mounting aid under the step casing and, if necessary, under the drive unit.

Mark the position and sequence of the pump parts for later mounting.



The pump must be dismantled by a qualified technician using the pertaining drawings.

To prevent damage, it is especially important to ensure that the components are dismantled concentrically and that they are not tilted.



The existent magnetic forces may cause injury if inadequate care is taken and/or loose parts are lying around.



When removing the magnetic drive components, strong magnetic forces are at work. The components may be pulled back to their original position by the force of the magnets.

To avoid injury to persons, screw in forcing screws of appropriate length so that the distance between the components is large enough to prevent hands or fingers from being trapped or crushed.

6.2.2.2 Motor

For vertical pumps and unit-construction pumps, it is not necessary to dismantle the pump unit. The pump can remain in the piping. First, remove the coupling protection and loosen the hexagon screws of the coupling. After having loosened the hexagon screws at the motor flange, remove the motor from the pump.

For pumps with a motor on a common bed-plate, first remove the coupling protection. Then, loosen the mounting screws of the motor and separate the motor from the pump.

6.2.3 Mounting

6.2.3.1 General Remarks

Prior to mounting, all parts must be cleaned thoroughly. Remove remaining parts of the seals. Slight scratches and grooves on the shaft near the shaft seal and on other sealing surfaces of the casings are to be polished with linen. If this is not possible, replace the parts. Gaskets must always be renewed. Check O-rings for damage and replace them, if necessary.

The mounting has to occur in reverse order of the dismantling.



The existent magnetic forces may cause injury if inadequate care is taken and/or loose parts are lying around.



When mounting the magnetic drive components, strong magnetic forces act between the components. The components may be quickly pulled to their final position by the force of the magnets. The inserted long forcing screws prevent hands or fingers from being trapped or crushed between the components.

The starting torques for the tie bolts and locking screws non lubricated condition are displayed in fig. 6.2.3.1a.

thread	M 10	M 12	M 14	M16	M20
torque Nm	30	40	50	110 70*	120

* for pumps with more than 4 tie bolts

Abb. 6.2.3.1a Starting torque

6.2.3.2 Mounting of the Motor

For initial mounting of motor and pumps with rigid coupling, first of all, remove the transport safeguards of the lantern or of the intermediate flange, then remove the motorside coupling half. Subsequently, put this part onto the motor shaft. This coupling half must be next to the motor shaft collar. Tighten screws, join motor and pump centrally without tilting them. Tighten screws between motor and lantern or intermediate flange and then coupling screws.

CAUTION

The inner parts of the pump will be damaged if motor and pump are connected and the motorside or pumpside coupling half has been installed incorrectly or not at all.

7 Disturbance

CAUTION

To eliminate disturbance, the pump must have reached the environmental temperature and must be drained of air and pressure.

The chart shows a list of potential errors and their possible causes. For errors which are not listed here or which have other reasons, please consult us.

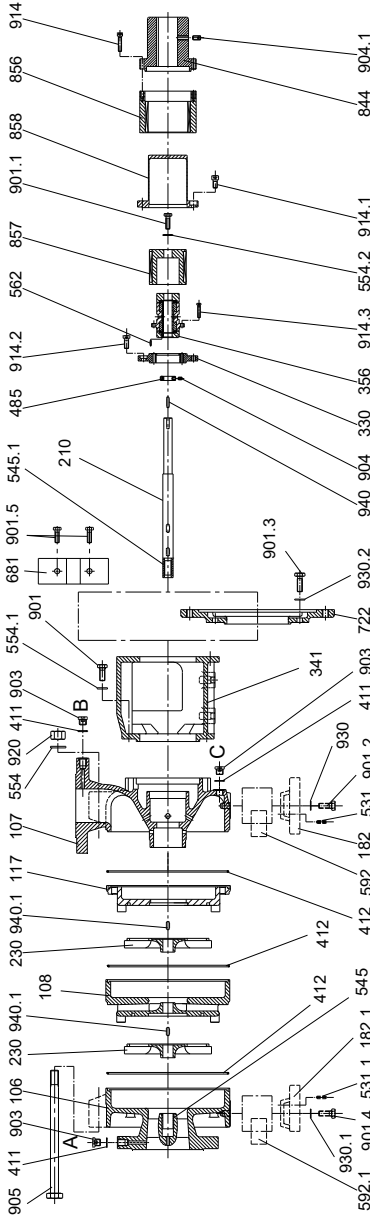
Pump is blocked	Coupling fault	Heads too low	Rates of flow too low	Bearing temperature too high	Pump operates badly	Leakages at the casing	Overload of the drive	Shaft seal leaks badly	Motor protection activated	Pump is becoming too hot	Cause	Elimination
		•	•								Pump and/or suction pipeline is not completely drained of air/filled	Drain of air and fill
			•	•	•					•	Suction level too high, NPSH value of the unit too high	Completely open stop slide in the suction pipeline, check suction bag/footing valve, if necessary, increase liquid level, if necessary
		•	•							•	Air inclusion in the pumped liquid too high	Seal suction pipeline once again, check suction bag, increase liquid level, if necessary
		•	•	•						•	Formation of air bag in suction pipeline	Change suction pipeline/attach drain valve
		•	•								Direction of rotation incorrect	Check and change phase sequence, if necessary
		•	•							•	Rates of flow too low	Readjust operating point
											Wear of inner parts	Replace inner parts
					•		•				Pump operates out of tolerance	Readjust operating point
									•		Shaft seal damaged	Replace shaft seal
										•	Stuffing box gland jammed or tightened too heavily	Correct
		•	•		•					•	Air entry through shaft sealing on suction side	Check liquid sealing or replace packing
		•	•								Speed too low	Increase speed ¹⁾
							•		•		Speed too high	Reduce speed ¹⁾
							•				Connecting screws, seals	Tighten connecting screws, replace seals
	•			•							Pump/motor not adjusted	Replace defective parts, adjust pump/motor
	•			•	•						Problems via piping	Check pipe connections/pump fasteners/bearing distance of pipe clips, installation with oscillation absorbers
				•							Insufficient, excessive or wrong lubrication grease	Add, remove or change grease ²⁾
	•										Incorrect coupling gap	Readjust motor
•											Defective bearing	Replace bearing
		•	•					•	•		Density/viscosity of pumped liquid higher than indicated in the order	¹⁾
										•	Motor protection unit set incorrectly or defective	Check motor protection unit, replace it, if necessary
•											Impeller blocked	Clean interior parts from particles and impurities

¹⁾ Please consult us

²⁾ Only pumps with lubricator

8 Pump View and List of Spare Parts

8.1 LBM



part no.	designation	part no.	designation	part no.	designation	part no.	designation
106	suction casing	341	lantern	592/1	base	904/1	hexagon socket set screw
107	delivery casing	356	bearing support casing	681	coupling guard	905	tie bolt
108	stage casing	411	joint ring	722	intermediate flange	914/1-3	hexagon socket head cap screw
117	endstage casing	412	o-ring	844	coupling half	920	nut
182/1	foot	485	driver	856	outer rotor	930/1-2	tooth lock washer
210	shaft	531/1	locking sleeve	857	inner rotor	940/1	key
230	impeller	545/1	bearing bush	858	coupling enclosure	940/1	key
330	bearing support	554/1/2	washer	901/1-5	hexagon screw		
		562	straight pin	903	screwed plug		

A: Screwed plug G $\frac{3}{4}$ for vent connection and pressure gauge connection
 B: Screwed plug G $\frac{3}{4}$ for vent connection and pressure gauge connection
 C: Screwed plug G $\frac{3}{4}$ for drain

When ordering spare parts, please indicate serial no., type no. and parts no. by all means.

**EG Declaration of Conformity
In accordance with EC Machinery Directive 2006/42 EC, Appendix II, 1 A**

We, EDUR Pumpenfabrik Eduard Redlien GmbH & Co. KG
Edisonstraße 33
D-24145 Kiel

hereby declare that the compact design rotary pump – see cover sheet for information regarding pump model, conforms to all of the relevant regulations of EC Machinery Directive 2006/42/EC. The protection objectives of the low voltage directive were observed in accordance with Appendix I, No. 1.5.1 of the machinery directive. The following harmonised standards applied:

DIN EN ISO 12100 DIN EN 809

Person responsible for the documentation: Mr. T. Kaeding

**Declaration of Incorporation
In accordance with EC Machinery Directive 2006/42/EC, Appendix II, 1 B**

We, EDUR Pumpenfabrik Eduard Redlien GmbH & Co. KG
Edisonstraße 33
D-24145 Kiel

hereby declare that the incomplete compact design rotary pump – see cover sheet for information regarding pump model – supplied without motor conforms to the following essential requirements of EC Machinery Directive 2006/42/EC, Appendix I: 1.1.1.; 1.1.2.; 1.1.3.; 1.1.5.

The following harmonised standards applied:

DIN EN ISO 12100 DIN EN 809

This incomplete machine may only be put into operation after it has been determined that the machine into which this incomplete machine is to be installed, conforms to the regulations of the machinery directive.

Person responsible for the documentation: Mr. T. Kaeding

