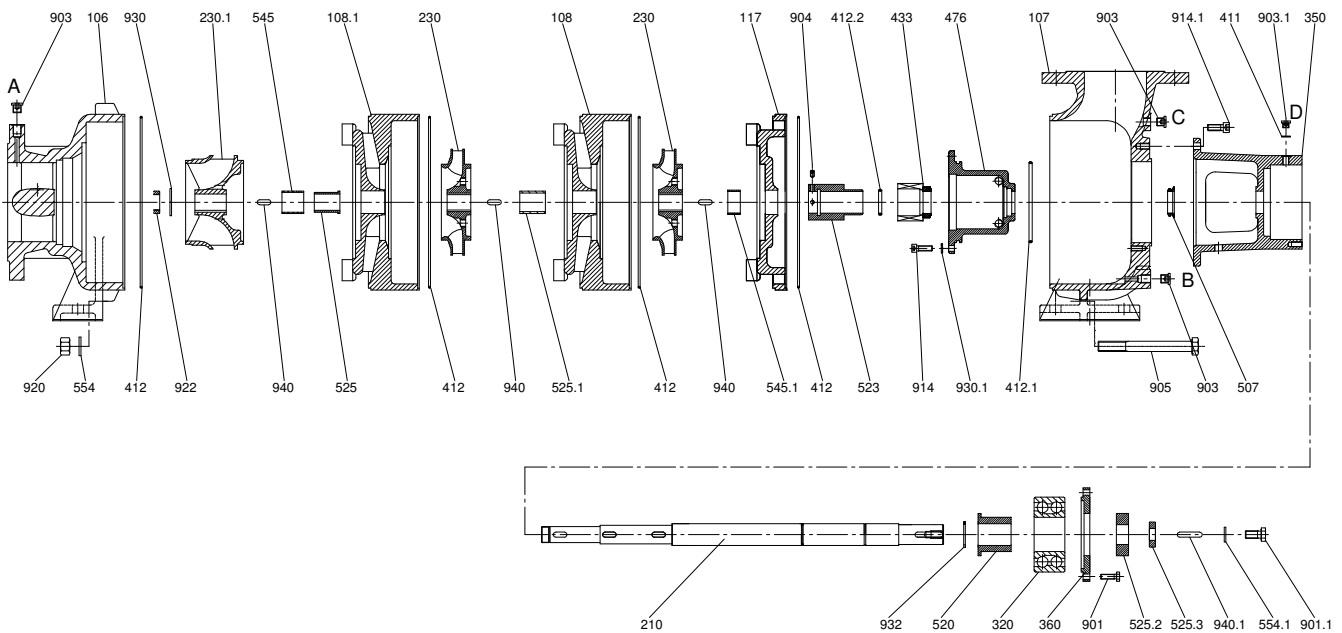


NHKE 100



- A: Screwed plug NPT 1/4" for vent and pressure gauge connection
- B: Screwed plug NPT 1/4" for drain
- C: Screwed plug NPT 1/4" for pressure gauge connection
- D: Screwed plug G1/8" for temperature monitoring

part no.	designation	part no.	designation
106	suction casing	523	balancing sleeve
107	delivery casing	525/.1-.3	spacer sleeve
108/.1	stage casing	545/.1	bearing bush
117	end stage casing	554/.1-.2	washer
210	shaft	901/.1	hexagon screw
230/.1	impeller	903/.1	screwed plug
320	ball bearing	904	hexagon socket set screw
350	bearing housing	905	tie bolt
360	bearing cover	914/.1	hexagon socket head cap screw
411	joint ring	920	nut
412/.1/.2	o-ring	922	impeller nut
433	mechanical seal	930	tooth lock washer
476	support to stationary element	932	circlip
507	deflector	940/.1	key
520	bush		

When ordering spare parts, please indicate serial no., type no. and parts no.