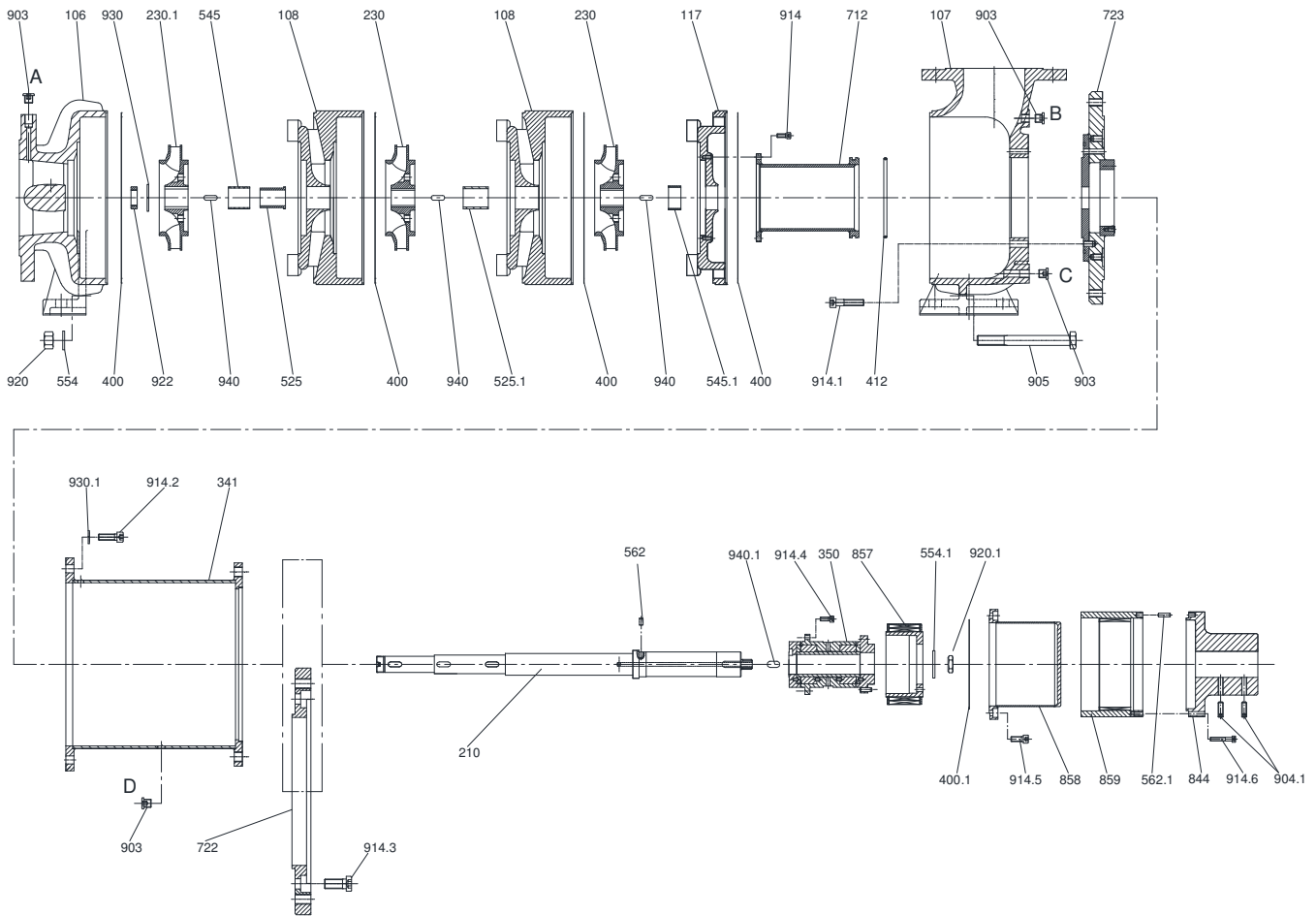


(N)NHM



- A: Screwed plug G1/4 for drain and manometer connection
- B*: Screwed plug G1/4 for drain and manometer connection
- C*: Screwed plug G1/4 for drain
- D: Screwed plug G1/4 for drain

* only for NNHM...

| part no. | designation | part no. | designation | part no. | designation |
|----------|------------------|----------|---------------------|-----------|-------------------------------|
| 106 | suction casing | 525 | spacer sleeve | 903 | screwed plug |
| 107 | delivery casing | 545/.1 | bearing bush | 904.1 | hexagon socket set screw |
| 108 | stage casing | 554/.1 | washer | 905 | tie bolt |
| 117 | end stage casing | 562/.1 | cylinder pin | 914/.1-.6 | hexagon socket head cap screw |
| 210 | shaft | 712 | support column | 920/.1 | nut |
| 230/.1 | impeller | 722 | intermediate flange | 922 | impeller nut |
| 330 | bearing support | 723 | flange | 930/.1 | tooth lock washer |
| 341 | lantern | 844 | coupling half | 940/.1 | key |
| 350 | bearing housing | 857 | inner rotor | | |
| 400/.1 | gasket | 858 | coupling enclosure | | |
| 412 | o-ring | 859 | outer rotor | | |

When ordering spare parts, please indicate serial no., type no. and parts no.