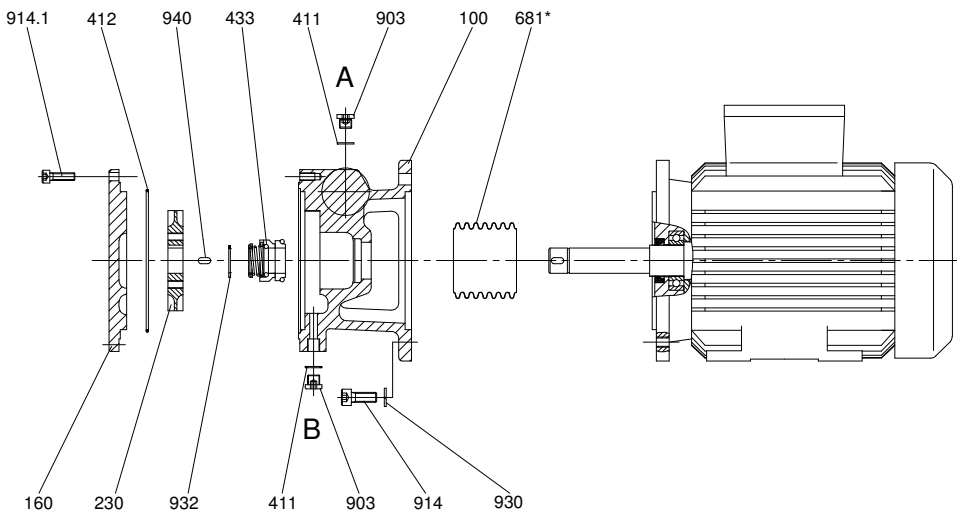
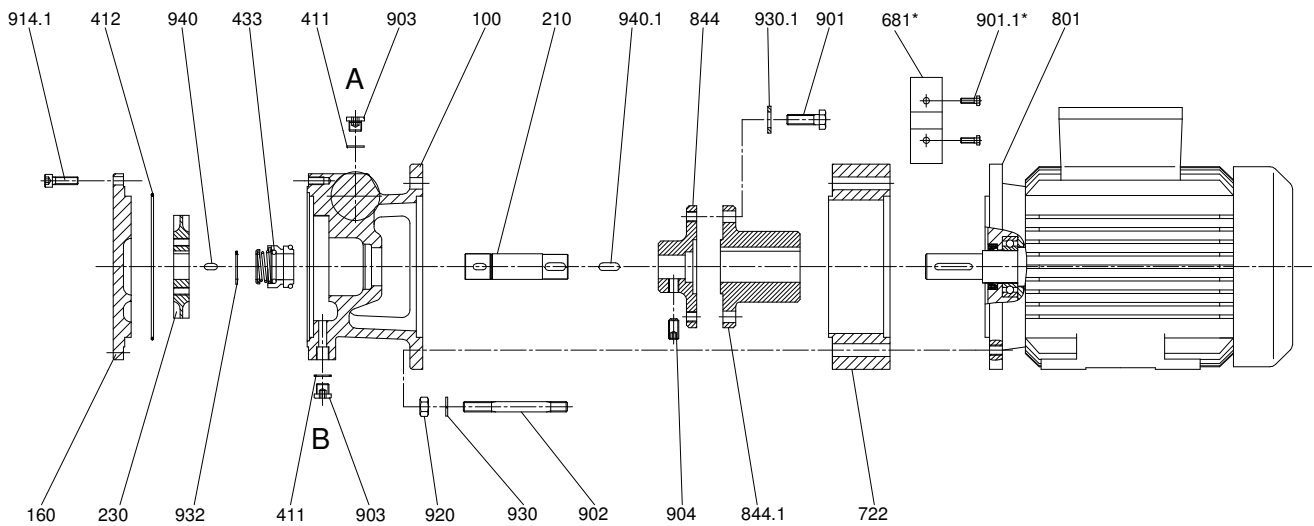


PBU 201 + PBU 251 + PBU 321



PBUL 201 E10



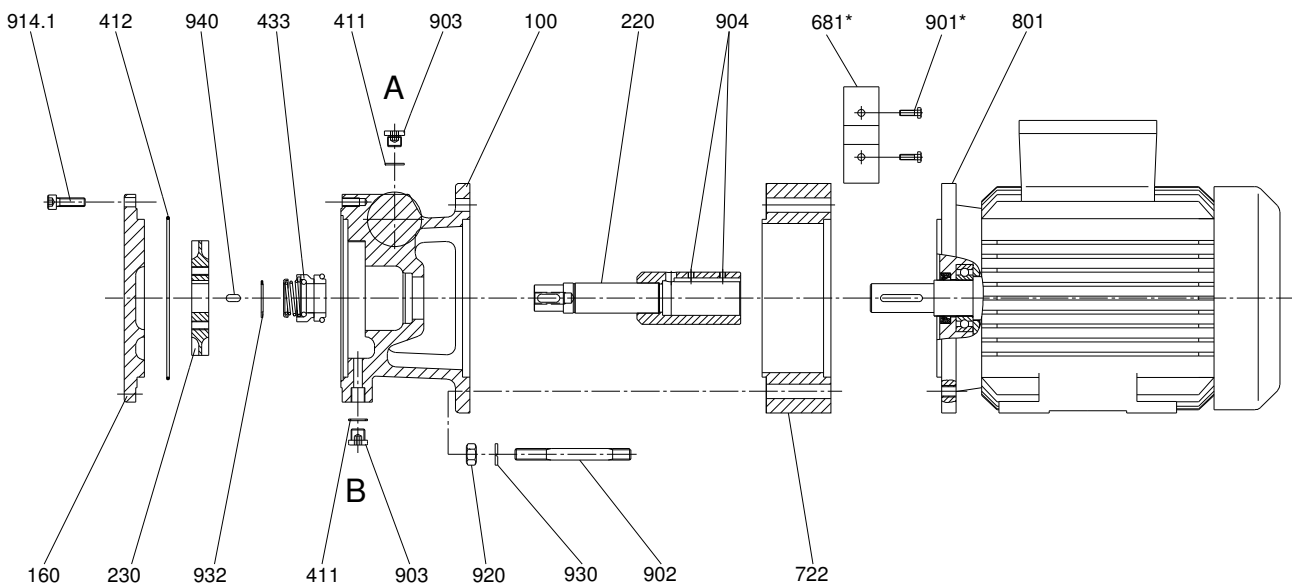
A: Screwed plug G¹/₈ for vent and manometer connection
 B: Screwed plug G¹/₈ for drain

part no.	designation	part no.	designation	part no.	designation
100	casing	507	deflector	903	screwed plug
160	cover	681*	coupling guard	904	hexagon socket set screw
210	shaft	722	intermediate flange	914/.1	hexagon socket head cap screw
230	impeller	801	motor	920	nut
411	joint ring	844/.1	disc type coupling	930/.1	tooth lock washer
412	o-ring	901/.1*	hexagon screw	932	circlip
433	mechanical seal	902	stud	940/.1	key

* only for open casings

When ordering spare parts, please indicate serial no., type no. and parts no.

PBUS 201 + PBUS 251 + PBUS 321



A: Screwed plug G¹/₈ for vent and manometer connection
 B: Screwed plug G¹/₈ for drain

part no.	designation	part no.	designation	part no.	designation
100	casing	507	deflector	904	hexagon socket set screw
160	cover	681*	coupling guard	914/.1	hexagon socket head cap screw
220	stab shaft	722	intermediate flange	920	nut
230	impeller	801	motor	930/	tooth lock washer
411	joint ring	901*	hexagon screw	932	circlip
412	o-ring	902	stud	940/	key
433	mechanical seal	903	screwed plug		

* only for open casings

When ordering spare parts, please indicate serial no., type no. and parts no.

EDUR-Pumpenfabrik Eduard Redlien GmbH & Co. KG · Edisonstr.33 · 24145 Kiel – Germany · Telefon (0431) 68 98 –68 · Fax (0431) 68 98 –800