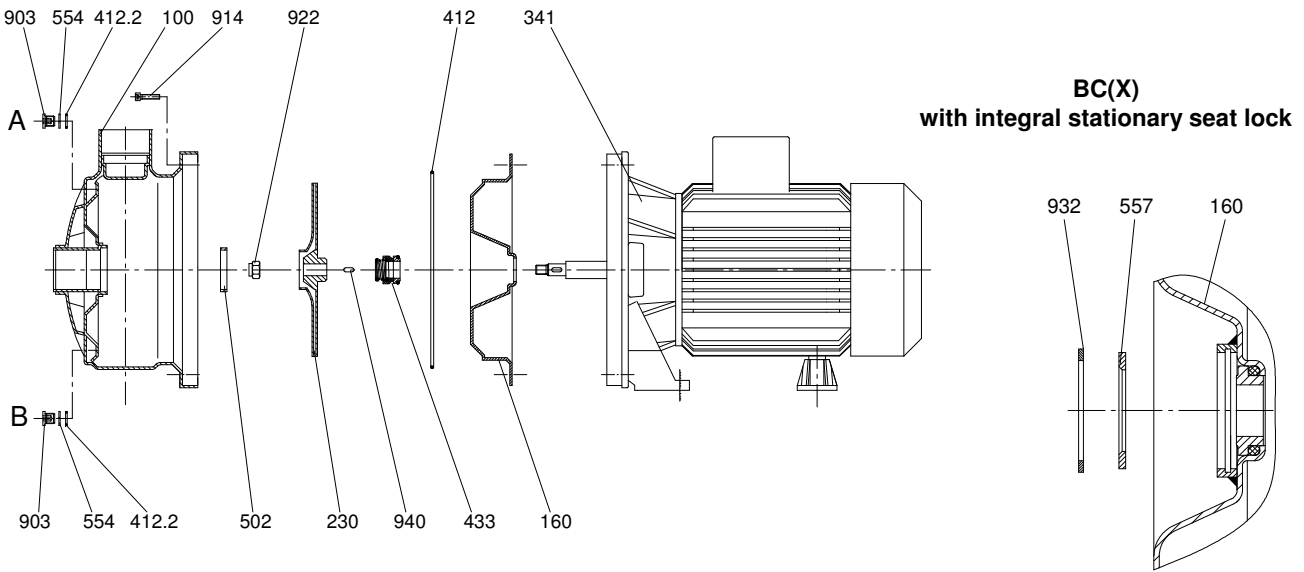
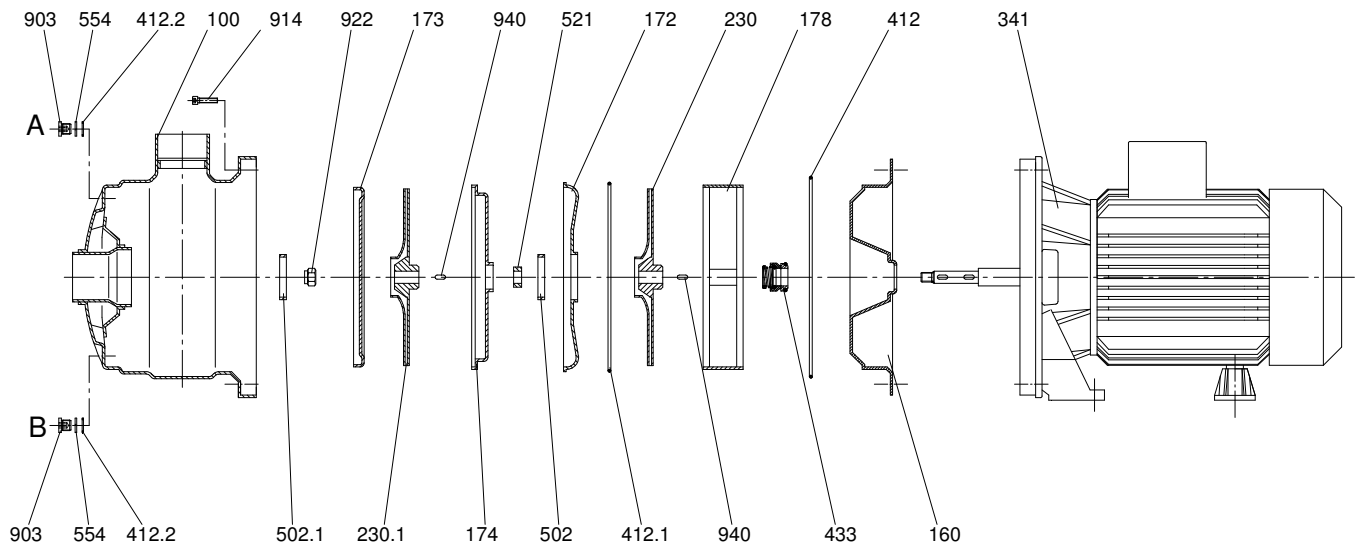


BC 25-071 · BC 25-091 · BC 25-121



BC 25-072 · BC 25-122



A: Screwed plug G1/8 for vent
 B: Screwed plug G1/8 for drain

Part no.	Designation	Part no.	Designation
100	casing	502/.1	liner ring
160	cover	521	impeller spacing
172	conveyer cover	554	washer
173	diffusor cover	557	supporting ring
174	diffusor	903	screwed plug
178	space diffusor	914	hexagon socket head cap screw
230/.1	impeller	922	impeller nut
341	motor bracket	932	circlip
412/.1-.2	o-ring	940	key
433	mechanical seal		

When ordering spare parts, please indicate serial no., type no. and parts no. by all means.