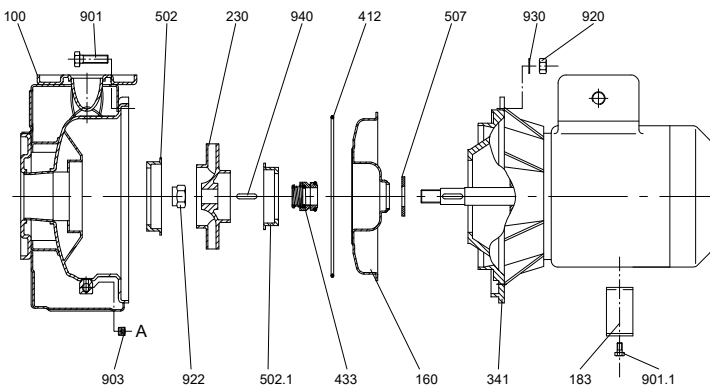
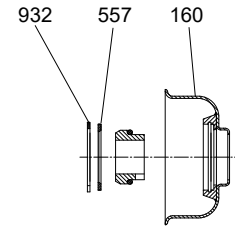


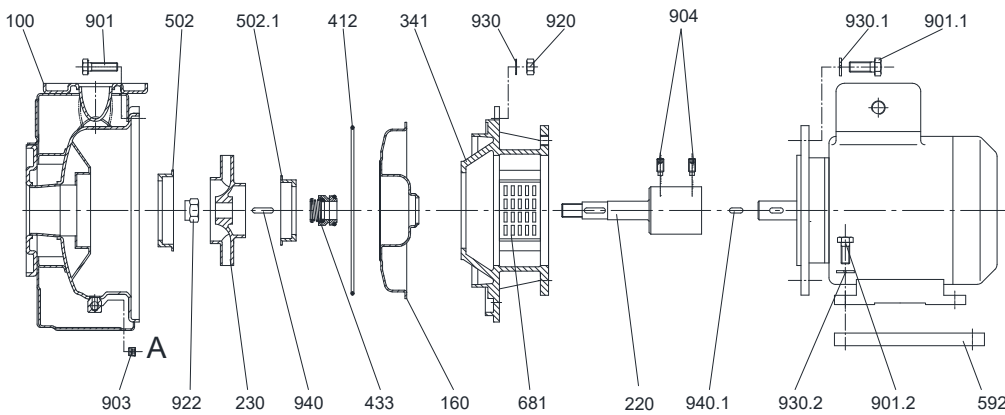
CB



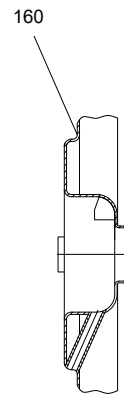
CB(X) · CB(X)L
with integral stationary seat lock



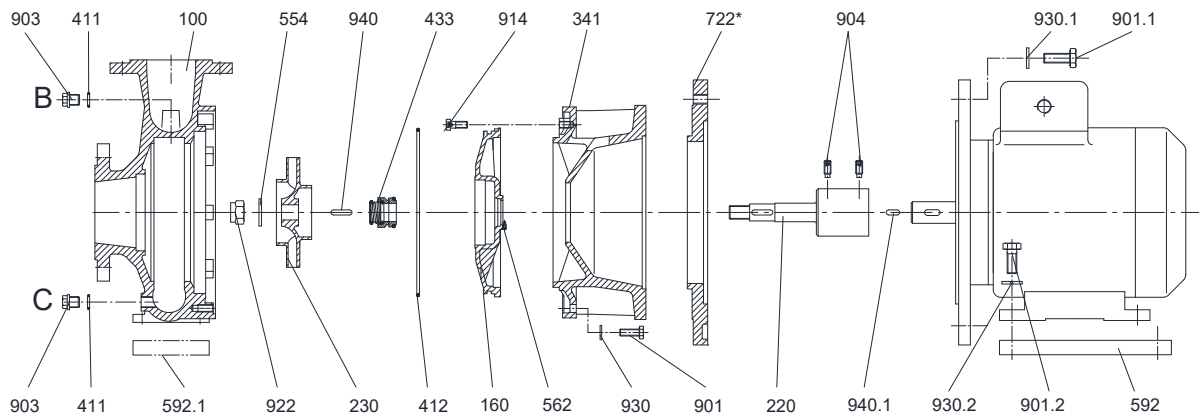
CBL 32-200 ... CBL 65-200



CB(X) · CB(X)L
with integrated flushing



CBL 65-250 ... CBL 80-250



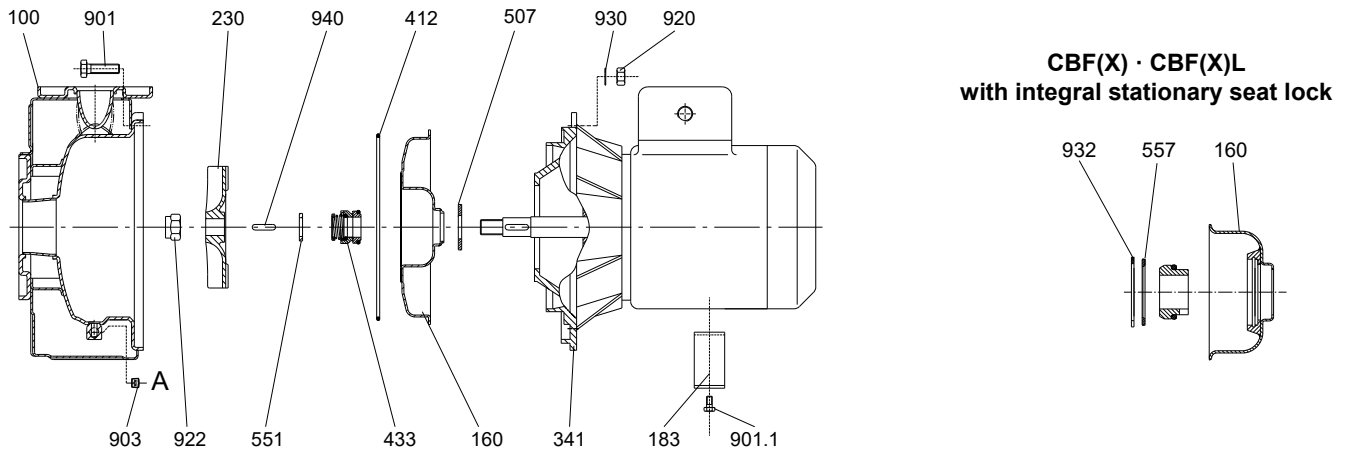
Part no.	Designation	Part no.	Designation
100	casing	557	supporting ring
160	cover	592	underlay
183	support foot	681	coupling guard
220	stub shaft	722*	intermediate flange
230	impeller	901/1-2	hexagon screw
341	latern	903	screwed plug
411	joint ring	904	hexagon socket set screw
412	o-ring	920	nut
433	mechanical seal	922	impeller nut
502/1	wear ring	930/1.2	tooth lock washer
507	deflector	932	circlip
554	washer	940/1	key

* not included in CBL 80-160

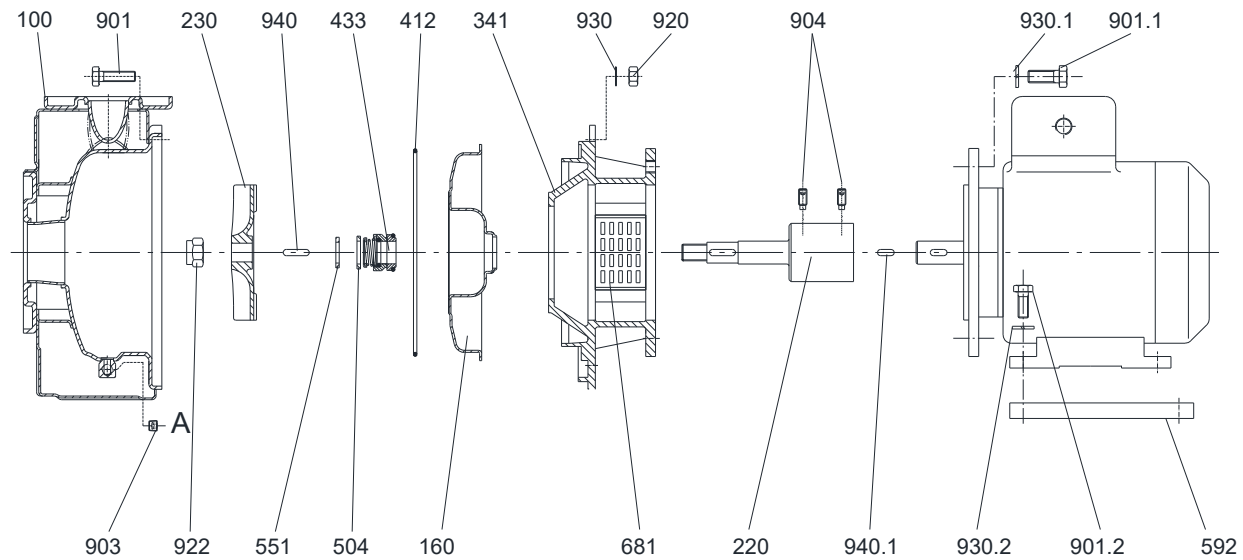
A: Screwed plug G1/8 for drain
B: Screwed plug G3/8 for filling
C: Screwed plug G3/8 for drain

When ordering spare parts, please indicate serial no., type no. and parts no. by all means.

CBF



CBFL



A: Screwed plug G1/8 for drain

Part no.	Designation	Part no.	Designation
100	casing	557	supporting ring
160	cover	592	underlay
183	foot	901/.1/.2	hexagon screw
220	stub shaft	903	screwed plug
230	impeller	904	hexagon socket set screw
341	lantern	920	nut
412	o-ring	922	impeller nut
433	mechanical seal	930/.1/.2	tooth lock washer
507	deflector	932	circlip
551	disc spacer	940/.1	key
681	coupling guard		

When ordering spare parts, please indicate serial no., type no. and parts no. by all means